

INDIAN RAILWAYS**CHECK SHEET & FIXTURE DRAWINGS****FOR****DOM COMPONENTS OF BOBRN WAGON AT COMPONENT
STAGE BEFORE FITMENT**

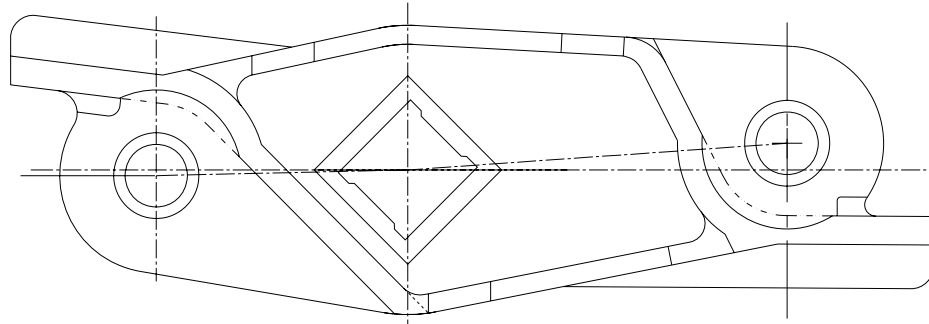
S.No.	Month & Year of issue	Revision / Amendment	Page No.	Reason for Amendment
1.	JULY - 2018	Nil	-	First issue

ISSUED BY

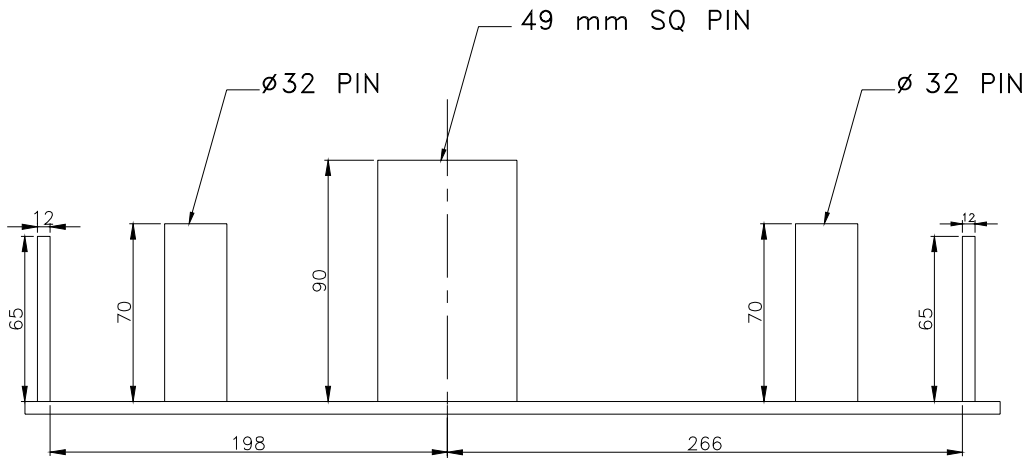
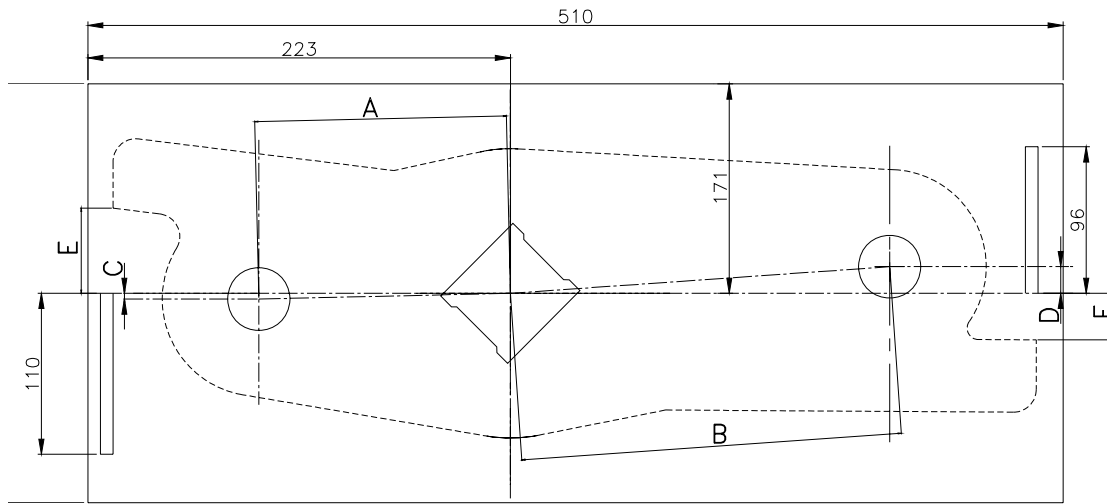
**RESEARCH DESIGNS AND STANDARDS ORGANISATION
MINISTRY OF RAILWAYS
LUCKNOW-226 011**

These check sheets do not detail all the dimensions or technical requirements of respective wagon assemblies / components. These check sheets are issued only for General Guidance & assistance of inspecting officials. Notwithstanding the above, the inspecting officials are advised to refer to relevant drawings and / or relevant specifications to confirm conformity to the specified dimensions and technical details.

CHECK SHEET & FIXTURE FOR COMPONENTS OF BOBRN WAGON AT COMPONENT STAGE BEFORE FITMENT



LEVER CENTRAL



FIXTURE FOR LEVER CENTRAL

These check sheets do not detail all the dimensions or technical requirements of respective wagon assemblies / components. These check sheets are issued only for General Guidance & assistance of inspecting officials. Notwithstanding the above, the inspecting officials are advised to refer to relevant drawings and / or relevant specifications to confirm conformity to the specified dimensions and technical details.

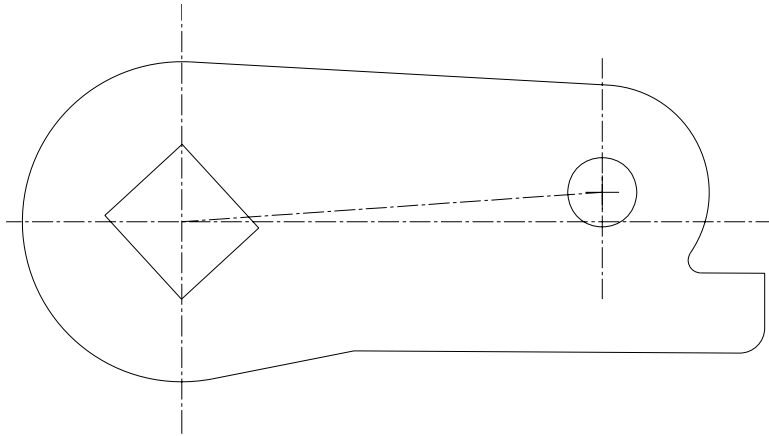
Drg no WD-92081-S-55, alt. no 3/ Item No-1

LEVER CENTRAL									
S. No	Location of Measurement	Nominal Dimension & allowable deviation		Actual dimension		Material Test certificate	Last periodic check of material by m & c directorate	Remarks	
				Work inspection	RDSO inspection				
1.	Distance from center of square hole to center of two circular hole	A	133 ^{+0.5} -0.5						
		B	201 ^{+0.5} -0.5						
2.	Offset dimension of circular hole to square hole	C	3 ^{+0.5} -0.5						
		D	14 ^{+0.5} -0.5						
3	Distance position at	E	44.75 ^{+0.5} -0.5						
4	Distance position at	F	24.75 ^{+0.5} -0.5						

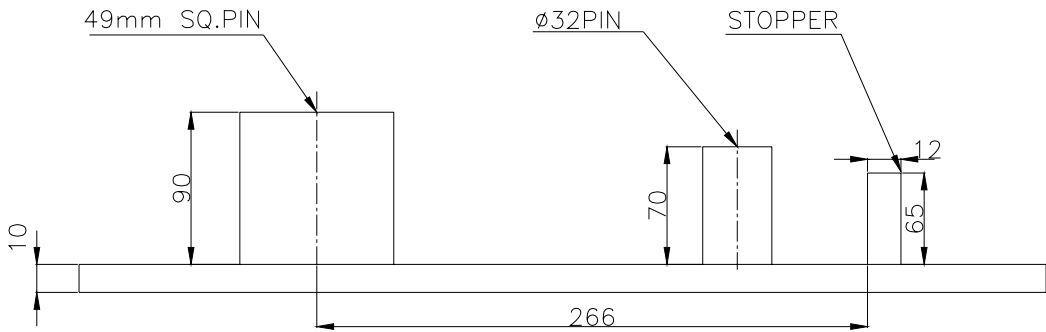
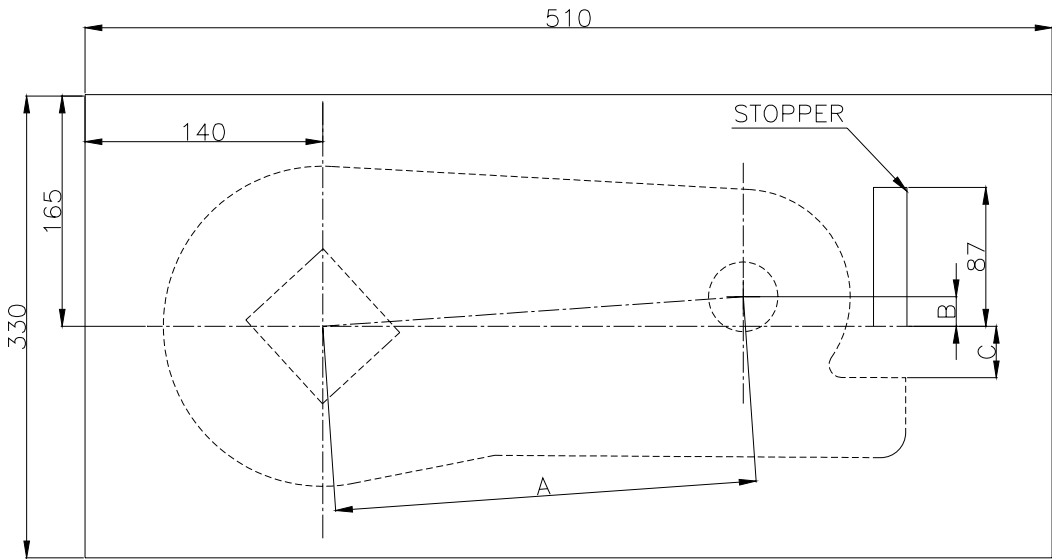
ALL DIMENSIONS ARE IN mm

WORKS INSPECTOR		RDSO INSPECTOR	
SIGNATURE		SIGNATURE	
NAME		NAME	
DESIGNATION		DESIGNATION	
DATE		DATE	

These check sheets do not detail all the dimensions or technical requirements of respective wagon assemblies / components. These check sheets are issued only for General Guidance & assistance of inspecting officials. Notwithstanding the above, the inspecting officials are advised to refer to relevant drawings and / or relevant specifications to confirm conformity to the specified dimensions and technical details.



LEVER X-END



FIXTURE FOR LEVER X-END

These check sheets do not detail all the dimensions or technical requirements of respective wagon assemblies / components. These check sheets are issued only for General Guidance & assistance of inspecting officials. Notwithstanding the above, the inspecting officials are advised to refer to relevant drawings and / or relevant specifications to confirm conformity to the specified dimensions and technical details.

Drg no WD-92081-S-55, alt. no 3/ Item No-2

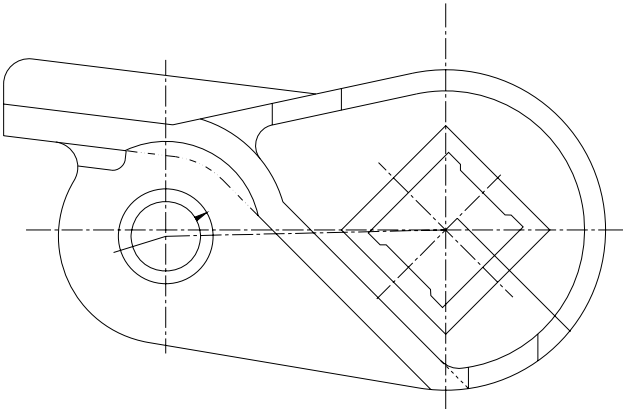
LEVER (X-END)								
S. No	Location of Measurement	Nominal Dimension & allowable deviation		Actual dimension		Material Test certificate	Last periodic check of material by m & c directorate	Remarks
				Work inspection	RDSO inspection			
1.	Distance between center positions at A	A	201 ^{+0.5} -0.5					
2.	Off center	B	14 ^{+0.5} -0.5					
3	Distance at C	C	24.47 ^{+0.5} -0.5					

ALL DIMENSIONS ARE IN mm

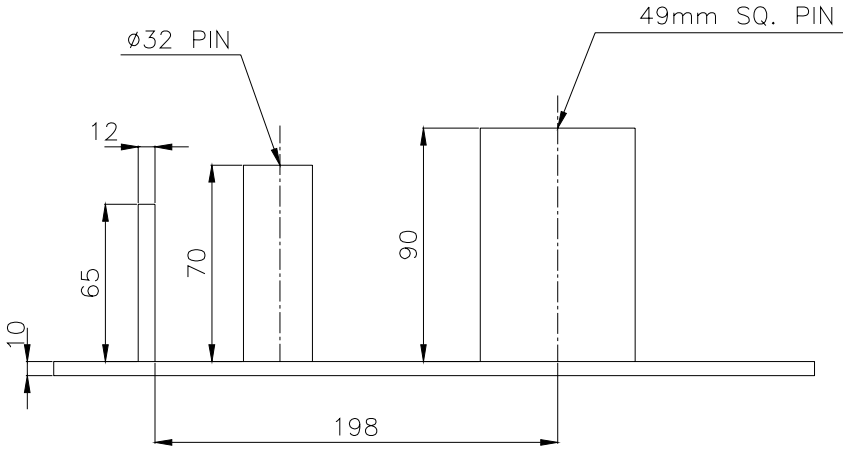
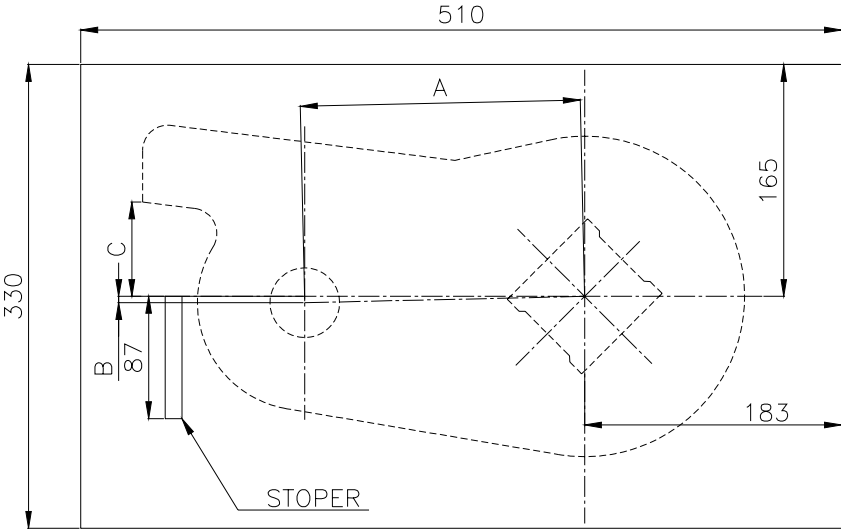
WORKS INSPECTOR		RDSO INSPECTOR	
SIGNATURE		SIGNATURE	
NAME		NAME	
DESIGNATION		DESIGNATION	
DATE		DATE	

These check sheets do not detail all the dimensions or technical requirements of respective wagon assemblies / components. These check sheets are issued only for General Guidance & assistance of inspecting officials. Notwithstanding the above, the inspecting officials are advised to refer to relevant drawings and / or relevant specifications to confirm conformity to the specified dimensions and technical details.

Drg no WD-92081-S-55, alt. no 3/ Item No-3



LEVER Y-END



FIXTURE FOR LEVER Y-END

These check sheets do not detail all the dimensions or technical requirements of respective wagon assemblies / components. These check sheets are issued only for General Guidance & assistance of inspecting officials. Notwithstanding the above, the inspecting officials are advised to refer to relevant drawings and / or relevant specifications to confirm conformity to the specified dimensions and technical details.

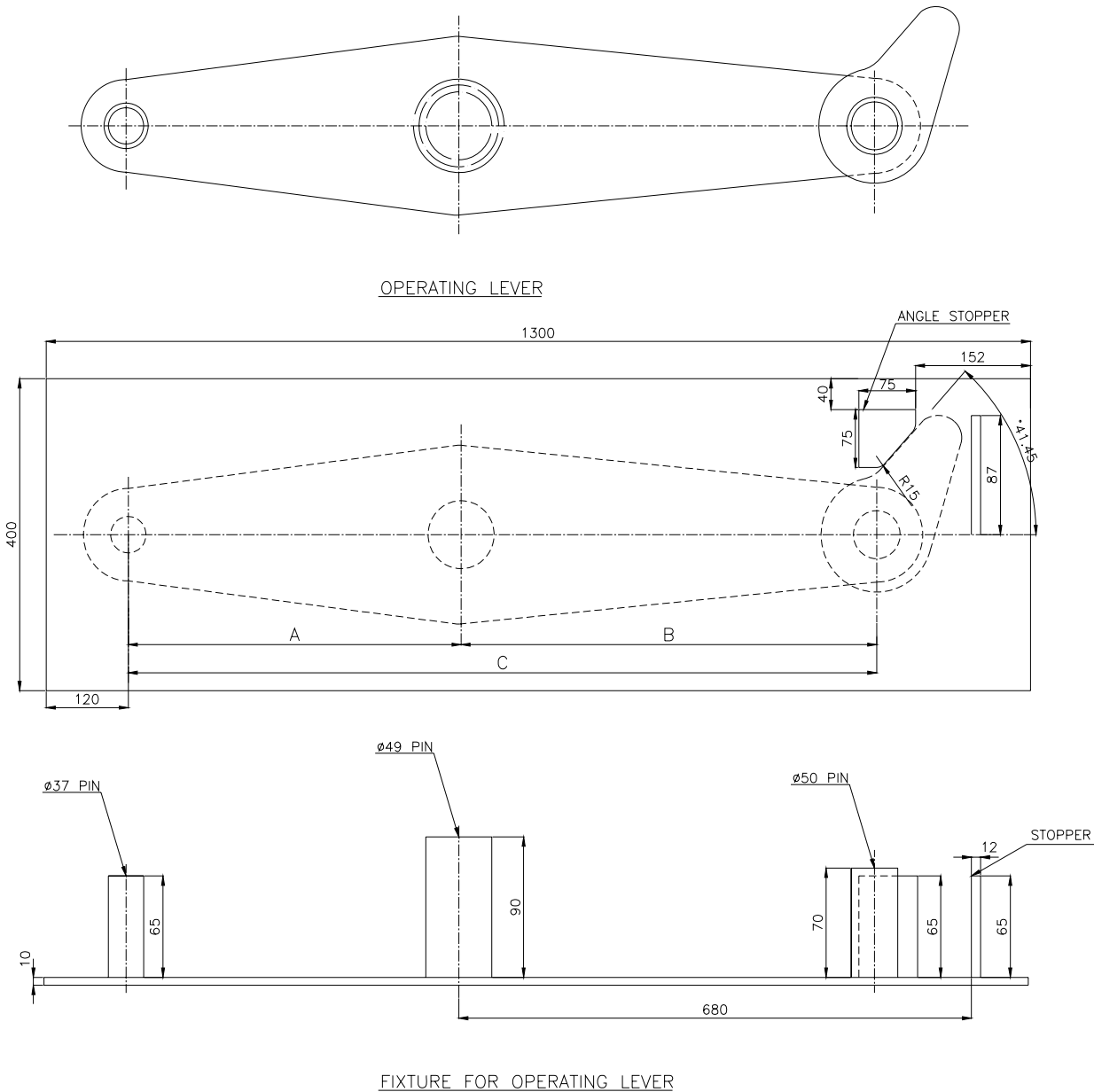
LEVER (Y-END)								
S. No	Location of Measurement	Nominal Dimension & allowable deviation		Actual dimension		Material Test certificate	Last periodic check of material by m & c directorate	Remarks
				Work inspection	RDSO inspection			
1.	Distance between center position at A	A	133 ^{+0.5} -0.5					
2.	Off center	B	3 ^{+0.5} -0.5					
3	Distance position at C	C	44.75 ^{+0.5} -0.5					

ALL DIMENSIONS ARE IN mm

WORKS INSPECTOR		RDSO INSPECTOR	
SIGNATURE		SIGNATURE	
NAME		NAME	
DESIGNATION		DESIGNATION	
DATE		DATE	

These check sheets do not detail all the dimensions or technical requirements of respective wagon assemblies / components. These check sheets are issued only for General Guidance & assistance of inspecting officials. Notwithstanding the above, the inspecting officials are advised to refer to relevant drawings and / or relevant specifications to confirm conformity to the specified dimensions and technical details.

Drg no WD-92081-S-55, alt. no 3/ Item No-4



These check sheets do not detail all the dimensions or technical requirements of respective wagon assemblies / components. These check sheets are issued only for General Guidance & assistance of inspecting officials. Notwithstanding the above, the inspecting officials are advised to refer to relevant drawings and / or relevant specifications to confirm conformity to the specified dimensions and technical details.

OPERATING LEVER								
S. No	Location of Measurement	Nominal Dimension & allowable deviation		Actual dimension		Material Test certificate	Last periodic check of material by m & c directorate	Remarks
				Work inspection	RDSO inspection			
1.	Dimension	A	368 ^{+0.5} -0.5					
2.	Dimension	B	457 ^{+0.5} -0.5					
3	Dimension	C	825 ^{+0.5} -0.5					

ALL DIMENSIONS ARE IN mm

WORKS INSPECTOR		RDSO INSPECTOR	
SIGNATURE		SIGNATURE	
NAME		NAME	
DESIGNATION		DESIGNATION	
DATE		DATE	

These check sheets do not detail all the dimensions or technical requirements of respective wagon assemblies / components. These check sheets are issued only for General Guidance & assistance of inspecting officials. Notwithstanding the above, the inspecting officials are advised to refer to relevant drawings and / or relevant specifications to confirm conformity to the specified dimensions and technical details.

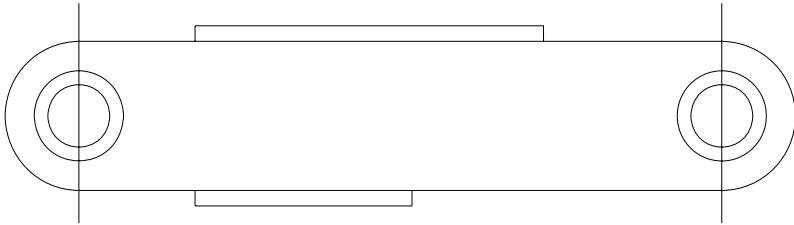
CONNECTING LINK (SMALL)								
S. No	Location of Measurement	Nominal Dimension & allowable deviation		Actual dimension		Material Test certificate	Last periodic check of material by m & c directorate	Remarks
				Work inspection	RDSO inspection			
1.	Dimension	B	$76^{+0.5}_{-0.5}$					
2.	Dimension	A	$264^{+0.5}_{-0.5}$					

ALL DIMENSIONS ARE IN mm

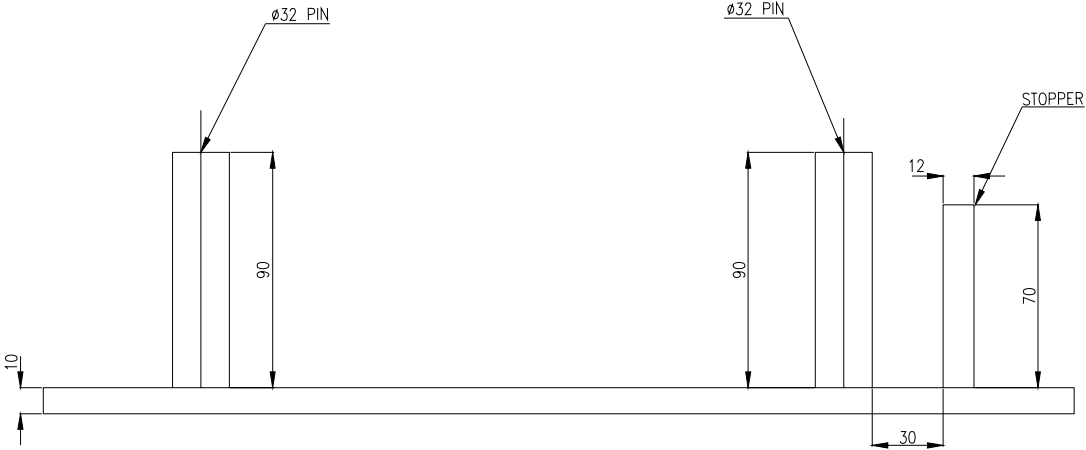
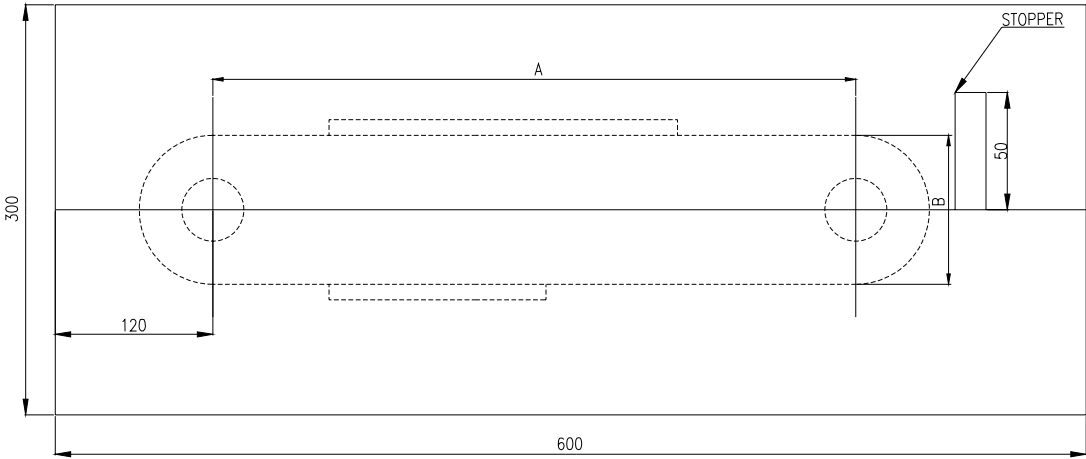
WORKS INSPECTOR		RDSO INSPECTOR	
SIGNATURE		SIGNATURE	
NAME		NAME	
DESIGNATION		DESIGNATION	
DATE		DATE	

These check sheets do not detail all the dimensions or technical requirements of respective wagon assemblies / components. These check sheets are issued only for General Guidance & assistance of inspecting officials. Notwithstanding the above, the inspecting officials are advised to refer to relevant drawings and / or relevant specifications to confirm conformity to the specified dimensions and technical details.

Drg no WD-92081-S-57, alt. no 10 / Item No-11



CONNECTING LINK LARGE



FIXTURE FOR CONNECTING LINK LARGE

These check sheets do not detail all the dimensions or technical requirements of respective wagon assemblies / components. These check sheets are issued only for General Guidance & assistance of inspecting officials. Notwithstanding the above, the inspecting officials are advised to refer to relevant drawings and / or relevant specifications to confirm conformity to the specified dimensions and technical details.

CONNECTING LINK (LARGE)								
S. No	Location of Measurement	Nominal Dimension & allowable deviation		Actual dimension		Material Test certificate	Last periodic check of material by m & c directorate	Remarks
				Work inspection	RDSO inspection			
1.	Dimension	B	$76^{+0.5}_{-0.5}$					
2.	Dimension	A	$332^{+0.5}_{-0.5}$					

ALL DIMENSIONS ARE IN mm

WORKS INSPECTOR		RDSO INSPECTOR	
SIGNATURE		SIGNATURE	
NAME		NAME	
DESIGNATION		DESIGNATION	
DATE		DATE	

These check sheets do not detail all the dimensions or technical requirements of respective wagon assemblies / components. These check sheets are issued only for General Guidance & assistance of inspecting officials. Notwithstanding the above, the inspecting officials are advised to refer to relevant drawings and / or relevant specifications to confirm conformity to the specified dimensions and technical details.