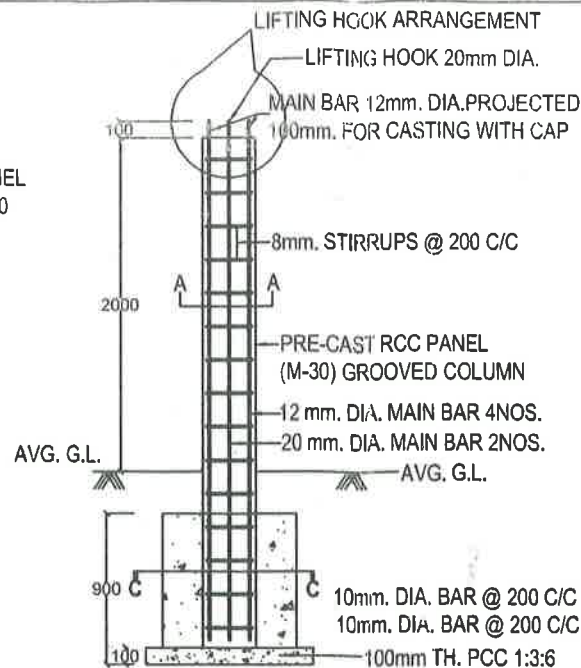
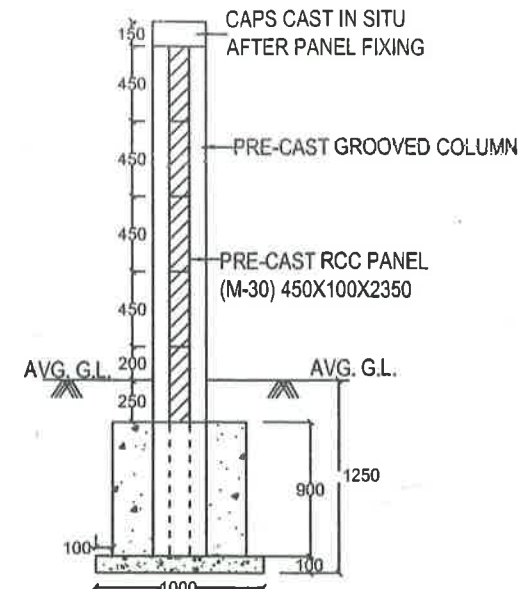


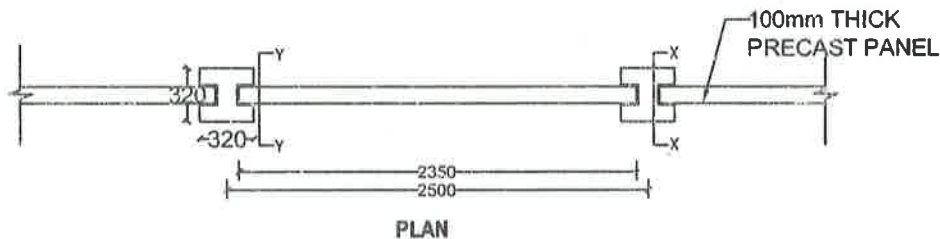
FRONT ELEVATION OF BOUNDARY WALL



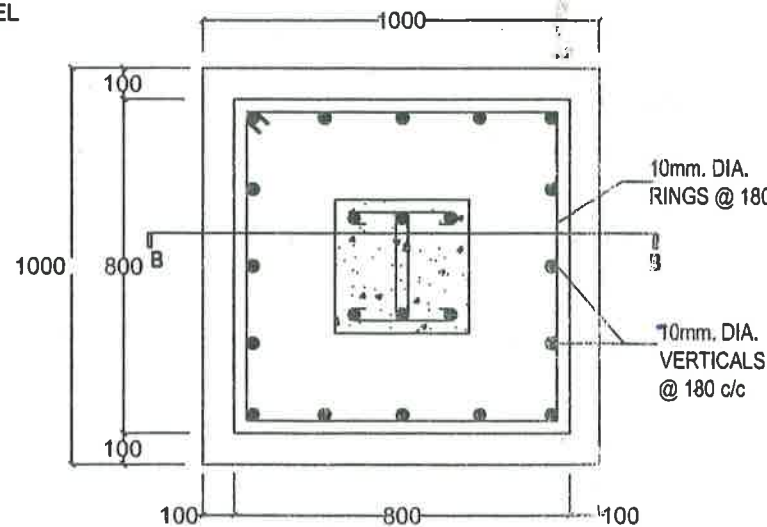
SEC. AT X-X



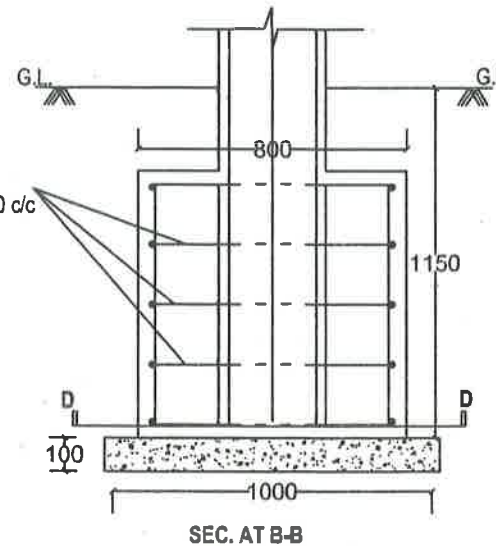
SEC. AT Y-Y



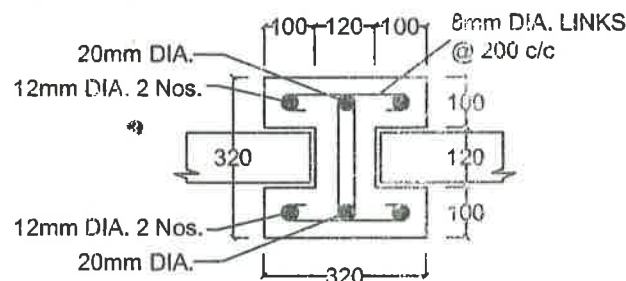
PLAN



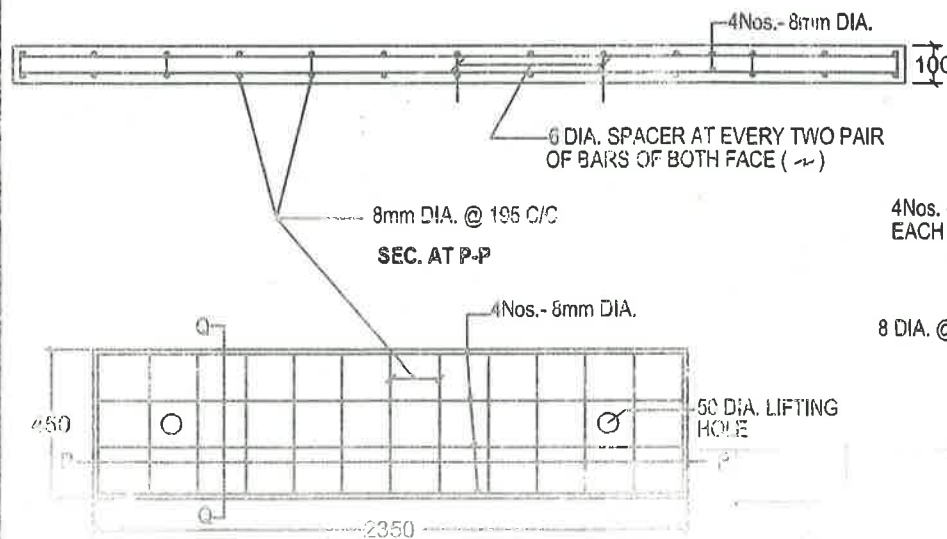
SEC. AT C-C



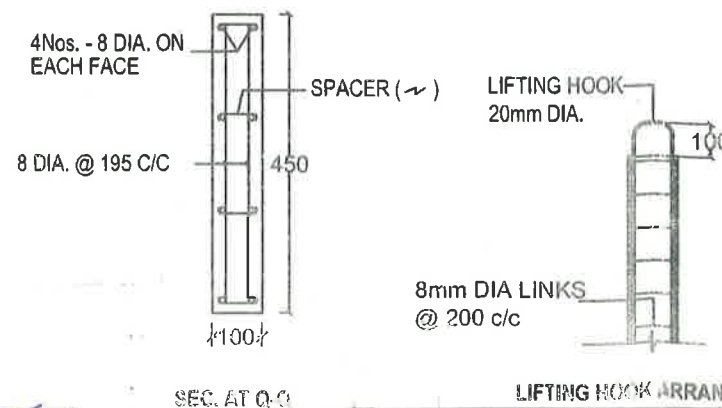
SEC. AT B-B



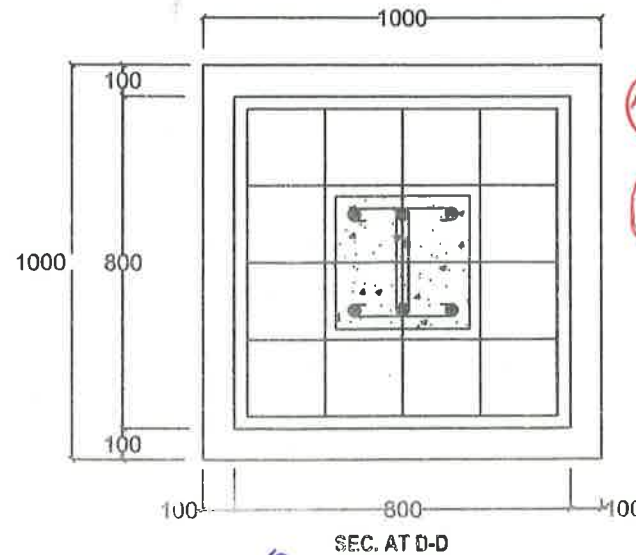
SEC. AT A-A



PRECAST PANEL PLAN



SEC. AT Q-Q



SEC. AT D-D

NOTES:-

- ALL DIMENSION ARE IN mm, UNLESS OTHERWISE STATED. ONLY WRITTEN DIMENSIONS ARE TO BE FOLLOWED.
- IT IS TYPICAL DRAWING. BASED ON SITE CONDITIONS, ACTUAL WORKING CONSTRUCTION DRAWING SHALL BE PREPARED BY EXECUTING DIVISION AND APPROVED BY SECTIONAL SR. DEN.
- TWO CIRCULAR HOLES OF 50mm DIA. SHALL BE PROVIDED IN THE PANNEL FOR HANDLING.
- RCC COLUMN AND RCC PANEL WILL BE PRECAST WITH M-30 GRADE.
- NOMINAL COVER TO BE PROVIDED TO ALL STEEL REINFORCEMENT, INCLUDING LINKS SHALL BE AS PER IS: 456 (LATEST).
- TMT BARS OF GRADE FE-500/500D CONFIRMING TO IS: 1786(LATEST) SHALL BE USED.
- RCC FOUNDATION SHALL BE IN M-25 GRADE.
- 25mm DIA. HOLE SHALL BE PROVIDED IN COLUMN DURING PRECASTING, AS SHOWN. A DOWEL BAR DIA 20mm SHALL BE PROVIDED IN HOLES BEFORE CASTING WITH FOUNDATION.
- PCC 100 mm THICK 1:3:6 TO BE DONE AT SITE AFTER PROPERLY COMPACTING SOIL BELOW.
- THIS DRAWING IS BASED ON SAFE BEARING CAPACITY OF 10 TONNES PER SQM. SUITABLE ADJUSTMENT IN FOUNDATION SIZE/ DESIGN BE MADE AS PER SAFE BEARING CAPACITY OF SOIL AVAILABLE AT SITE.
- SR. DEN SHOULD PLAN FOR SINGLE LANE SERVICE ROAD ON ONE SIDE OF TRACK WHEREVER CONSTRUCTION OF BOUNDARY WALL LEADS TO BLOCKING OF THE ACCESS OF ROAD VEHICLES REQUIRED FOR MAINTENANCE/ REPAIRS/ EMERGENCIES ALONG WITH THE PROVISION OF APPROPRIATE BARRIER AT THE ENTRY POINT.
- STEPPED CONSTRUCTION SHALL BE CARRIED OUT ON SLOPING GROUND WITH STEPS AT COLUMNS. HEIGHT OF PRECAST COLUMN BE SUITABLY INCREASED ON BASIS OF NATURAL GROUND SLOPE. TYPICAL ARRANGEMENT FOR CONSTRUCTION ON SLOPING GROUND ARE GIVEN IN SHEET 2.
- SEQUENCE OF CONSTRUCTION:
  - IN FOUNDATION PIT, AFTER PCC, REINFORCEMENT AS PER SEC. D-D AND B-B BE LAID.
  - PRECAST COLUMN WITH TWO PANELS OUT OF FIVE PANELS, BE ERECTED AND ALIGNED.
  - FOUNDATION BE CASTED.
  - AFTER ACHIEVING SUITABLE STRENGTH OTHER THREE PANELS SHALL BE FIXED AND CAP SHALL BE CAST.
- THIS WALL IS NOT DESIGNED FOR RESISTING ANY EARTH PRESSURE.
- THIS DRAWING IS TO BE NORMALLY ADOPTED IN LIGHTLY BUILT UP OR NON-BUILT UP AREA WITH OCCASIONAL TRESPASSING.

16- APPLICABLE FOR 'A ROUTES & HIGH DENSITY ROUTES'?

17- IS: 456 (LATEST) SHALL BE FOLLOWED IN ALL R.C.C & P.C.C. WORKS

ALT: 1

ALT: 2

ED/WORKS	50/06/2017
DIR/WORKS	
ADE/WORKS	

RCC BOUNDARY WALL WITH PRECAST PANEL & PRECAST COLUMN (FOR LIGHTLY BUILT UP OR NON-BUILT UP AREA WITH OCCASIONAL TRESPASSING)

SCALE: NTS DATE: 06.12.2017

DRAWING NO: RDSC/WKS/2017/3 (Sheet 1 of 2)

WORKS DIRECTORATE R.D.S.O. LUCKNOW

ALT: 2 NOTE NO. 17 ADDED

ADW/ DIR/ W ED/ W

1 NOTE NO. 16 ADDED

ALT: DESCRIPTION ADE/W DIR/W ED/W

DRAWN BY

