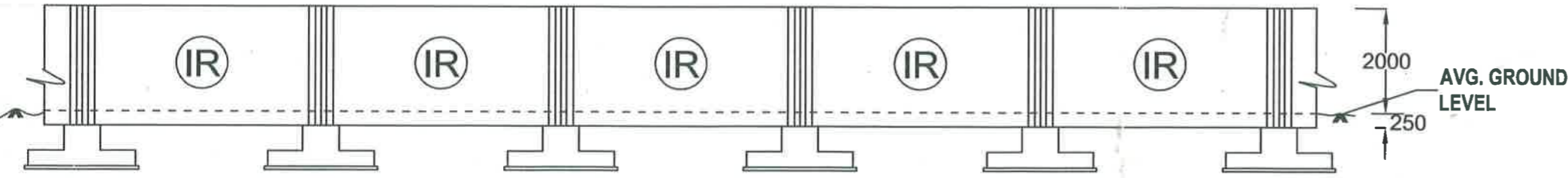
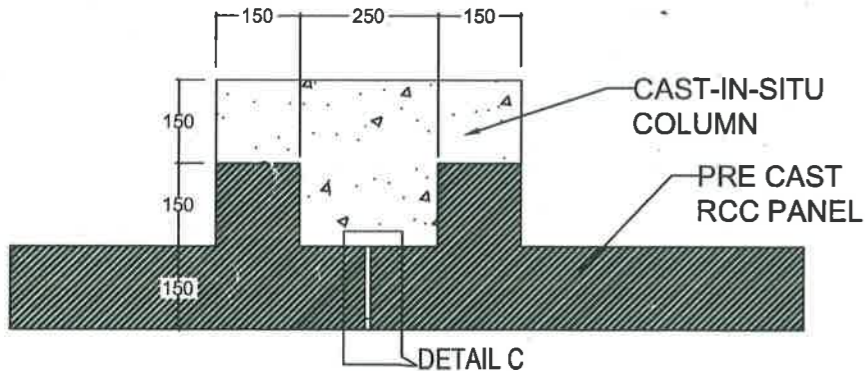


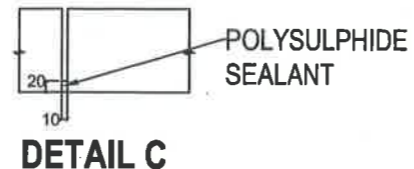
PLAN OF PRECAST PANEL & COLUMN



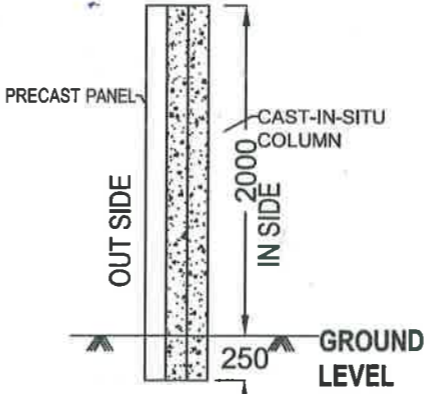
ELEVATION



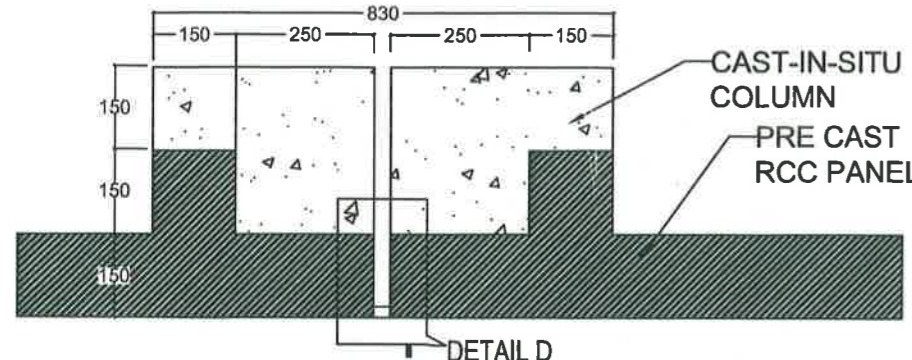
DETAIL A



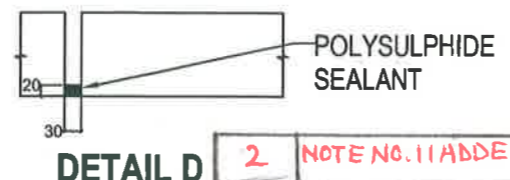
DETAIL C



DETAIL F-F



DETAIL B (AT EXPANSION JOINT)



DETAIL D

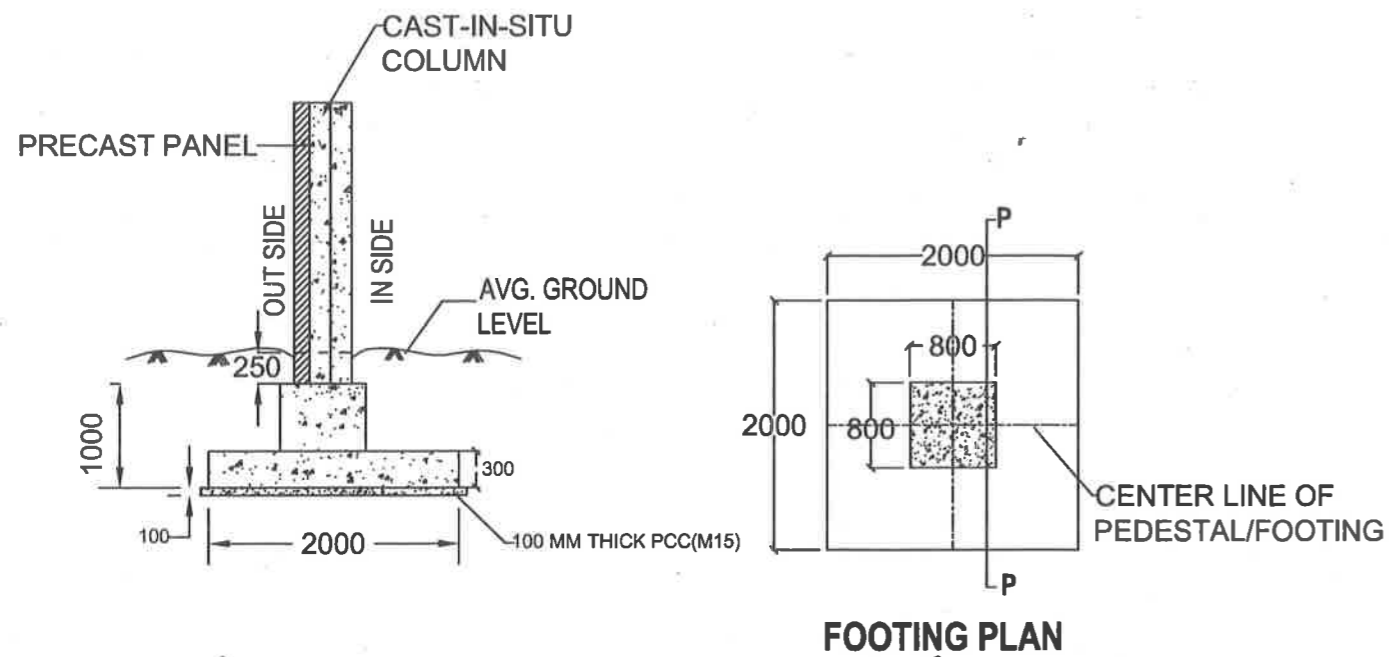
SPECIAL NOTE:-
THIS DRAWING IS TO BE USED IN DENSELY BUILT UP AREA WITH FREQUENT TRESPASSING WHERE WORK IS TO BE EXECUTED EXPEDITIOUSLY OR WHERE CAST-IN-SITU CONSTRUCTION IS NOT FEASIBLE AS PER SITE CONDITION. THIS DRAWING SHALL BE USED WITH THE PRIOR APPROVAL OF SR. DEN (Coordination) OF THE DIVISION.

- NOTES:-**
- 1- ALL DIMENSION ARE IN MILLIMETERS UNLESS OTHERWISE STATED. ONLY WRITTEN DIMENSION ARE TO BE FOLLOWED.
 - 2- CONCRETE MIX SHALL BE M 30 FOR PRECAST PANEL & M 25 FOR CAST IN SITU COLUMN.
 - 3- NOMINAL COVER TO BE PROVIDED TO ALL STEEL REINFORCEMENT, INCLUDING LINKS SHALL BE AS PER IS:456 (LATEST).
 - 4- ALL REINFORCEMENT BARS SHALL BE CONFORMING TO GRADE Fe 500/ 500D IS: 1786 (LATEST).
 - 5- THIS DRAWING IS BASED ON SAFE BEARING CAPACITY OF 10 TONNES PER SQM. SUITABLE ADJUSTMENT IN FOUNDATION SIZE/DESIGN BE MADE AS PER SAFE BEARING CAPACITY OF SOIL AVAILABLE AT SITE.
 - 6- IT IS A TYPICAL DRAWING. BASED ON SITE CONDITIONS, ACTUAL WORKING CONSTRUCTION DRAWING SHALL BE PREPARED BY EXECUTING DIVISION AND APPROVED BY SECTIONAL SR. DEN.
 - 7- SR. DEN SHOULD PLAN FOR SINGLE LANE SERVICE ROAD ON ONE SIDE OF TRACK WHEREVER CONSTRUCTION OF BOUNDARY WALL LEADS TO BLOCKING OF THE ACCESS OF ROAD VEHICLES REQUIRED FOR MAINTENANCE/REPAIRS/EMERGENCIES ALONG WITH THE PROVISION OF APPROPRIATE BARRIER AT THE ENTRY POINT.
 - 8- STEPPED CONSTRUCTION SHALL BE CARRIED OUT ON SLOPING GROUND WITH STEPS AT COLUMNS. HEIGHT OF RCC COLUMN BE SUITABLY INCREASED ON BASIS OF NATURAL GROUND SLOPE. TYPICAL ARRANGEMENT FOR CONSTRUCTION ON SLOPING GROUND ARE GIVEN IN SHEET 2.
 - 9- THIS RCC WALL IS NOT DESIGNED FOR RESISTING ANY EARTH PRESSURE.
 10. APPLICABLE FOR 'A ROUTES & HIGH DENSITY ROUTES'.
 11. IS: 456 (LATEST) SHALL BE FOLLOWED IN ALL R.C.C & P.C.C. WORKS.

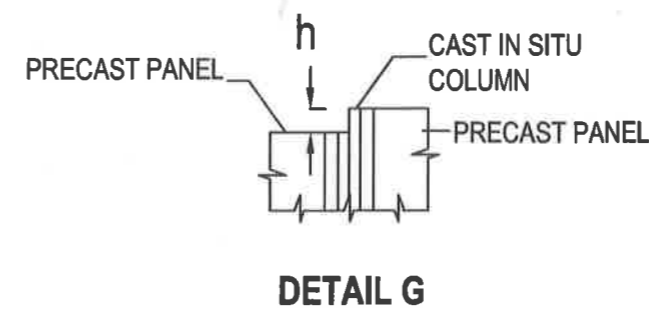
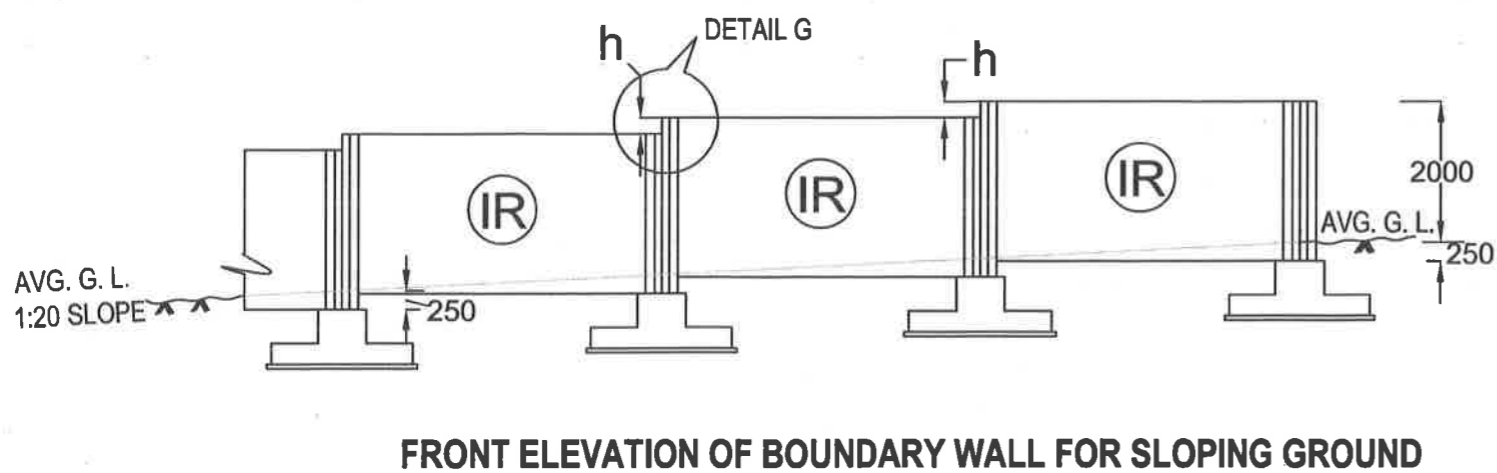
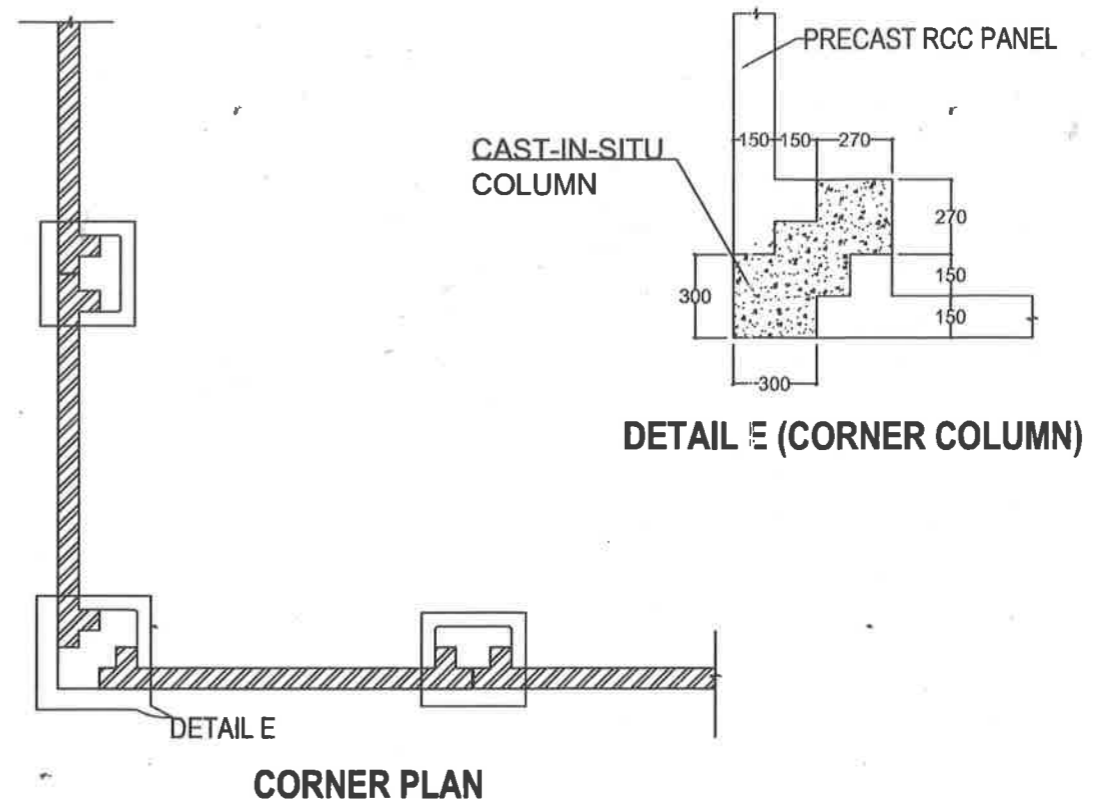
ALT: 1
ALT: 2

ED/WORKS	506/12/17
DIR/WORKS	(Signature)
ADE/WORKS	(Signature)
RCC BOUNDARY WALL WITH PRECAST PANEL & CAST IN SITU COLUMN (FOR DENSELY BUILT UP AREA WITH FREQUENT TRESPASSING)	
SCALE: NTS	DATE: 06.12.2017
DRAWING NO: RDSO/WKS/2017/2 (Sheet 1 of 4)	
WORKS DIRECTORATE R.D.S.O. LUCKNOW	

2	NOTE NO. 11 ADDED	(Signature)	(Signature)	(Signature)	(Signature)
1	NOTE NO. 10 ADDED	(Signature)	(Signature)	(Signature)	(Signature)
ALT:	DESCRIPTION	ADE/W	DIR/W	ED/W	DRAWN BY



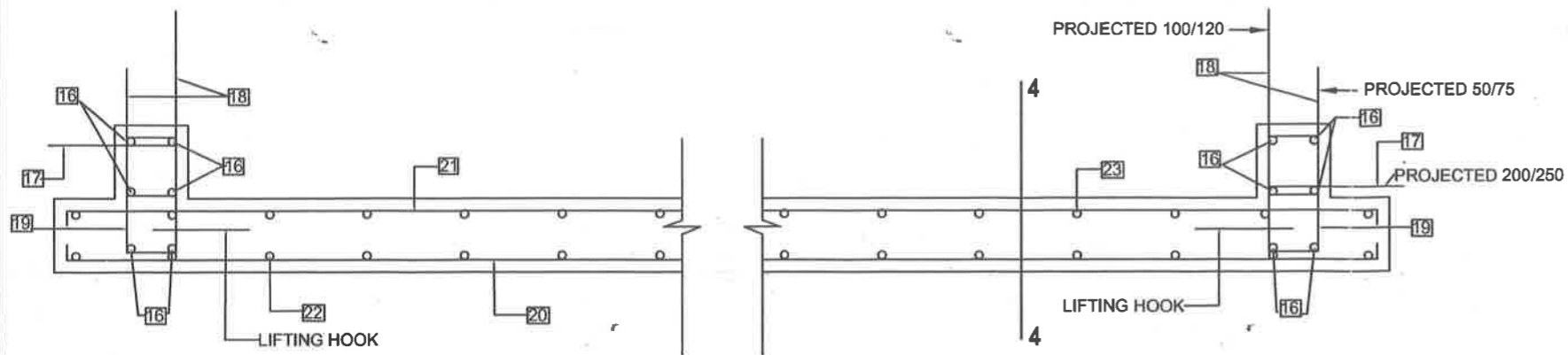
BOUNDARY WALL FOOTING PLAN SECTION P-P



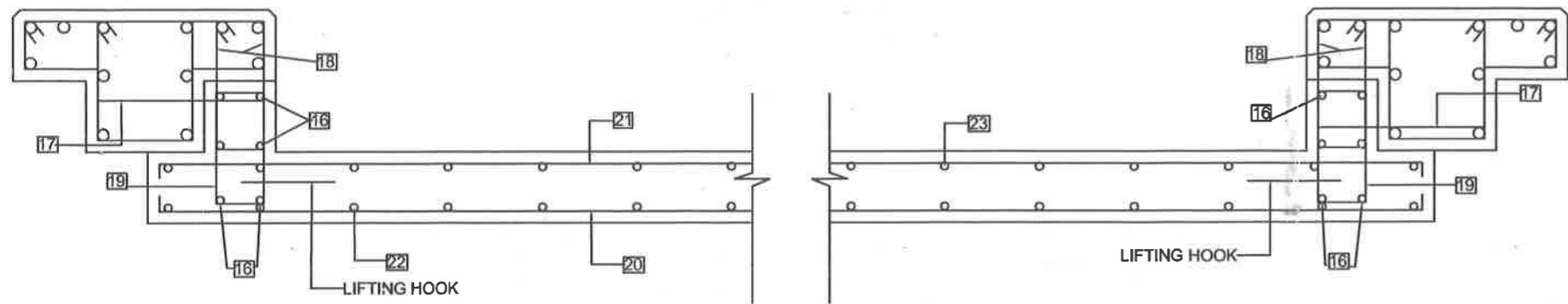
NOTES:-

IF SLOPE OF NATURAL GROUND IS 1 in x
 THE HEIGHT 'h' (AS SHOWN AT DETAIL 'G') in mm
 WILL BE $h = \frac{2700}{x}$

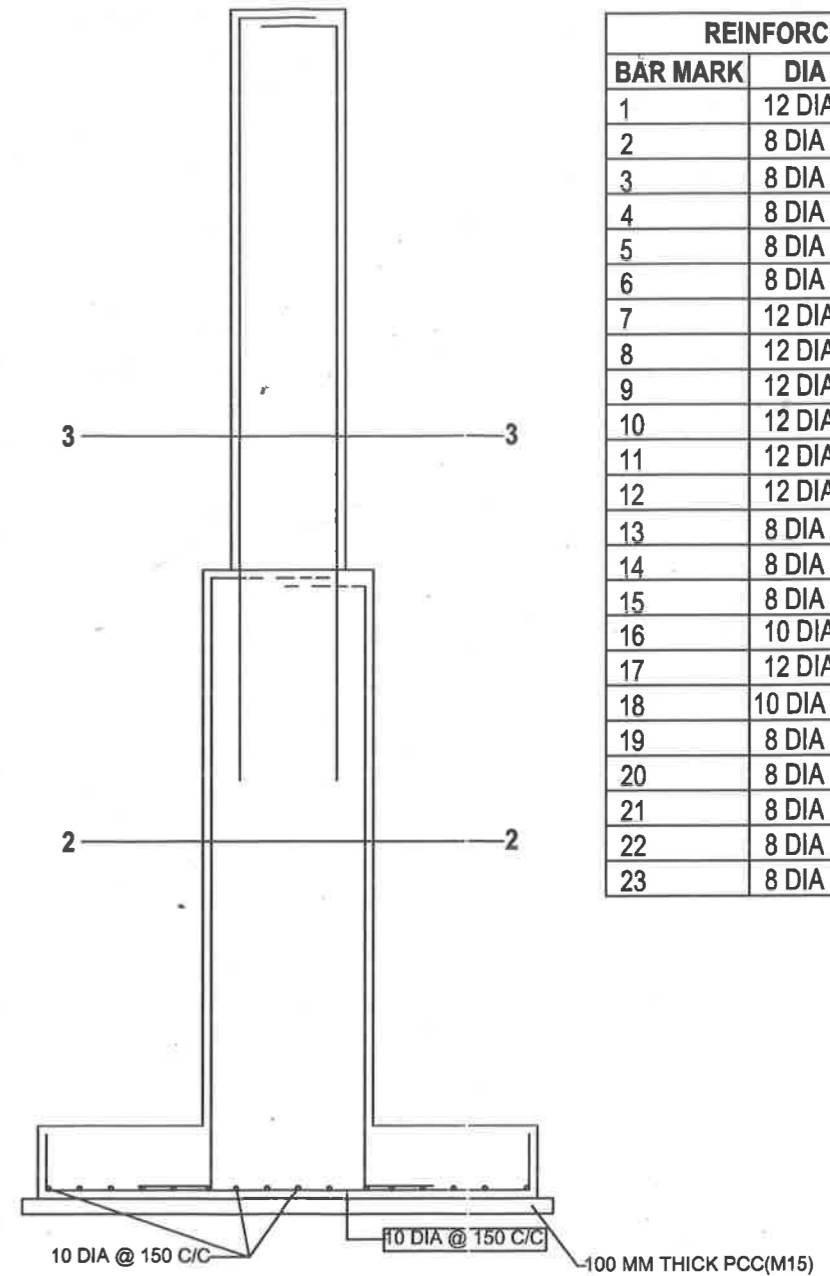
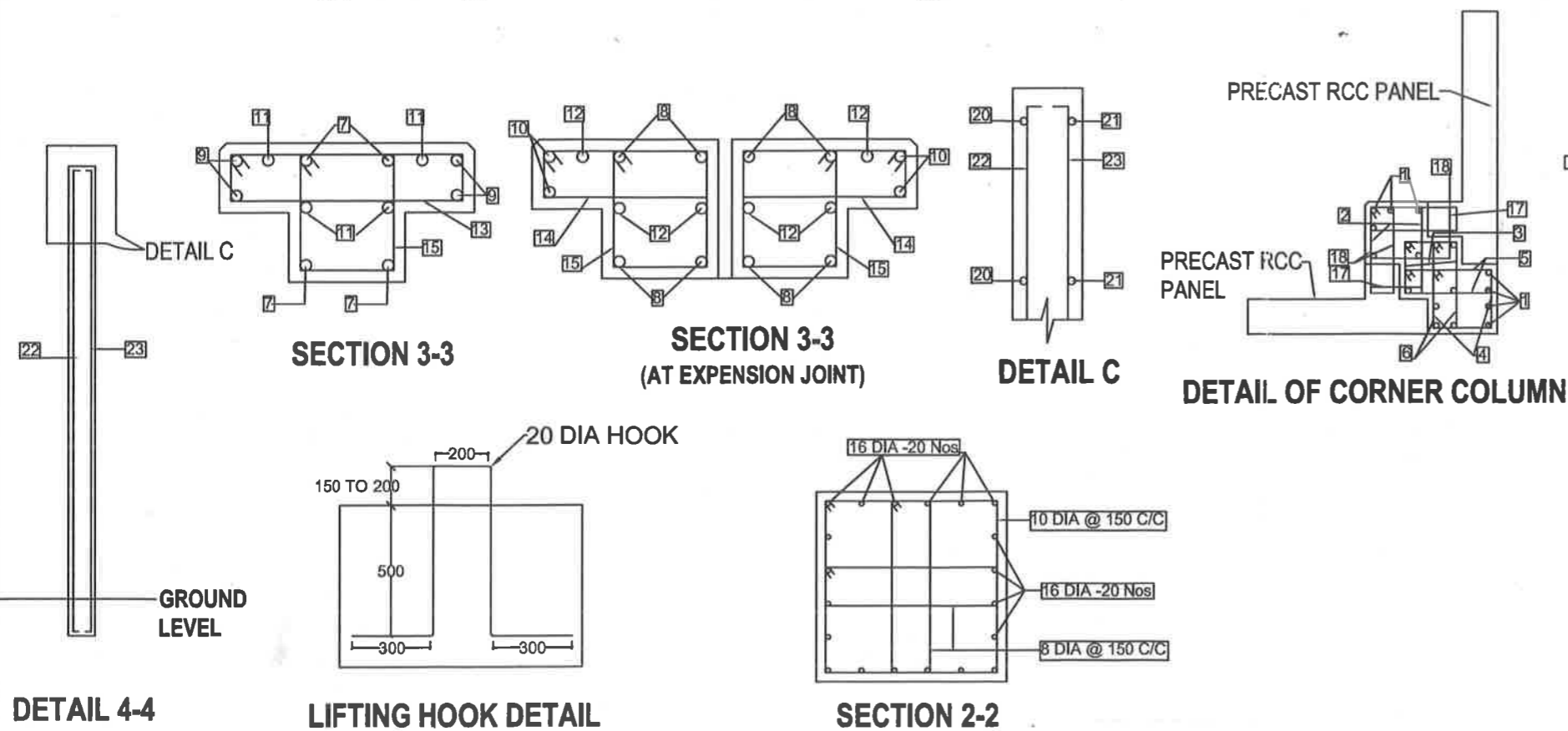
ED/WORKS	06/12/17
DIR/WORKS	
ADE/WORKS	
RCC BOUNDARY WALL WITH PRECAST PANEL & CAST IN SITU COLUMN (FOR DENSELY BUILT UP AREA WITH FREQUENT TRESPASSING)	
SCALE: NTS	DATE: 06 .12.2017
DRAWING NO: RDSO/WKS/2017/2 (Sheet 2 of 4)	
DRAWN BY	WORKS DIRECTORATE R.D.S.O. LUCKNOW



PRECAST PANEL REINFORCEMENT PLAN WITH REINFORCEMENT BAR PROJECTION FOR EMBEDDING WITH IN-SITU COLUMN



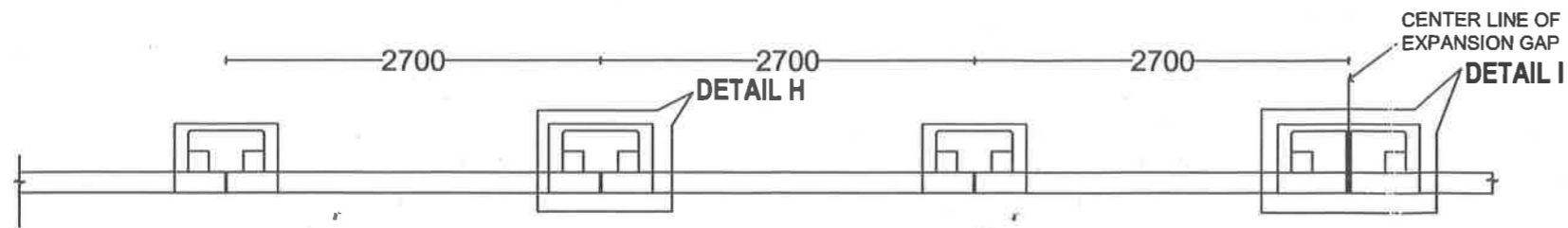
REINFORCEMENT PLAN OF CAST IN-SITU COLUMN EMBEDDING WITH REINFORCEMENT BAR PROJECTED FROM PRECAST PANEL



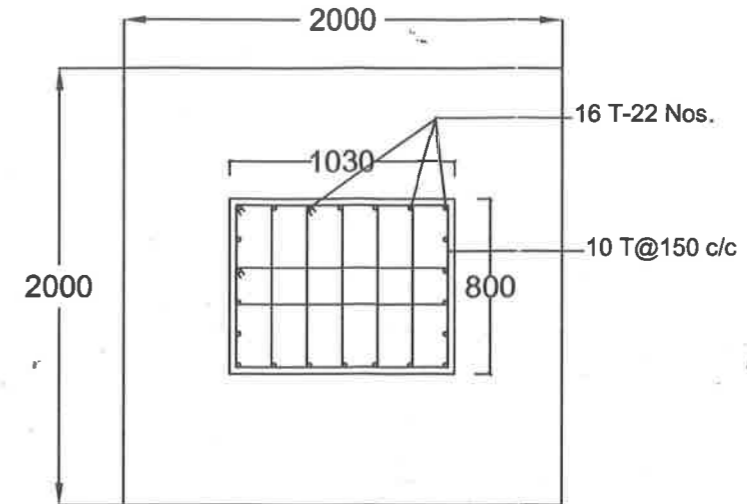
DETAILS OF COLUMN ABOVE FORMATION LEVEL

REINFORCEMENTS DETAILS		
BAR MARK	DIA OF BAR	SHAPE OF BAR
1	12 DIA -20 Nos	┌
2	8 DIA @ 150 C/C	□
3	8 DIA @ 150 C/C	□
4	8 DIA @ 150 C/C	□
5	8 DIA @ 150 C/C	□
6	8 DIA @ 150 C/C	□
7	12 DIA -4Nos.	┌
8	12 DIA -8Nos.	┌
9	12 DIA -4Nos.	┌
10	12 DIA -4Nos.	┌
11	12 DIA -4Nos.	┌
12	12 DIA -6Nos.	┌
13	8 DIA @ 150 C/C	□
14	8 DIA @ 150 C/C	□
15	8 DIA @ 150 C/C	□
16	10 DIA -6 Nos.	┌
17	12 DIA -5 Nos.	□
18	10 DIA @ 150 C/C	□
19	8 DIA @ 150 C/C	□
20	8 DIA @ 150 C/C	┌
21	8 DIA @ 150 C/C	┌
22	8 DIA @ 200 C/C	┌
23	8 DIA @ 200 C/C	┌

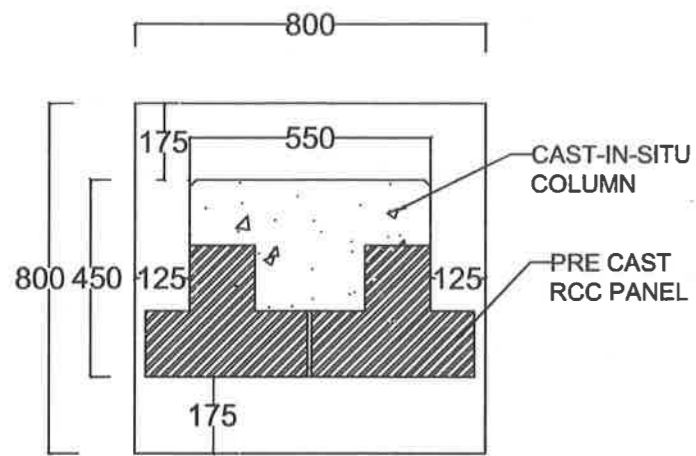
ED/WORKS	50/06/12/17
DIR/WORKS	
ADE/WORKS	
RCC BOUNDARY WALL WITH PRECAST PANEL & CAST IN SITU COLUMN (FOR DENSELY BUILT UP AREA WITH FREQUENT TRESPASSING)	
SCALE: NTS	DATE: 06.12.2017
DRAWING NO: RDSO/WKS/2017/2 (Sheet 3 of 4)	
DRAWN BY	WORKS DIRECTORATE R.D.S.O. LUCKNOW



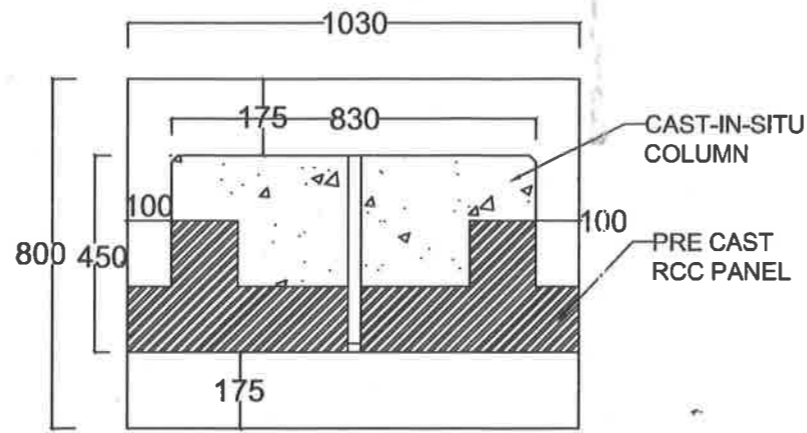
TYP. PLAN FOR BOUNDARY WALL OF PRECAST PANEL & CAST IN SITU COLUMN



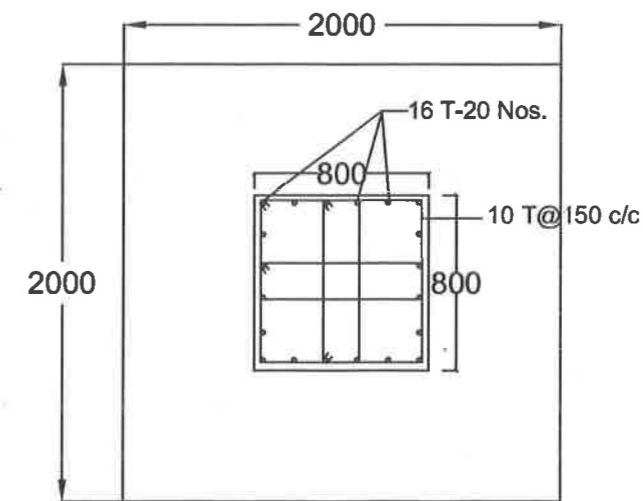
DETAIL I-I (BAR PLAN)



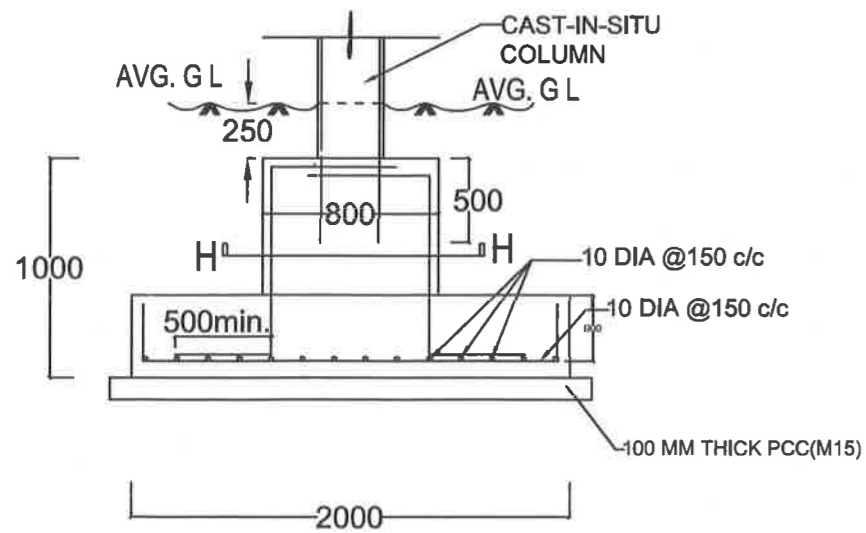
DETAIL H



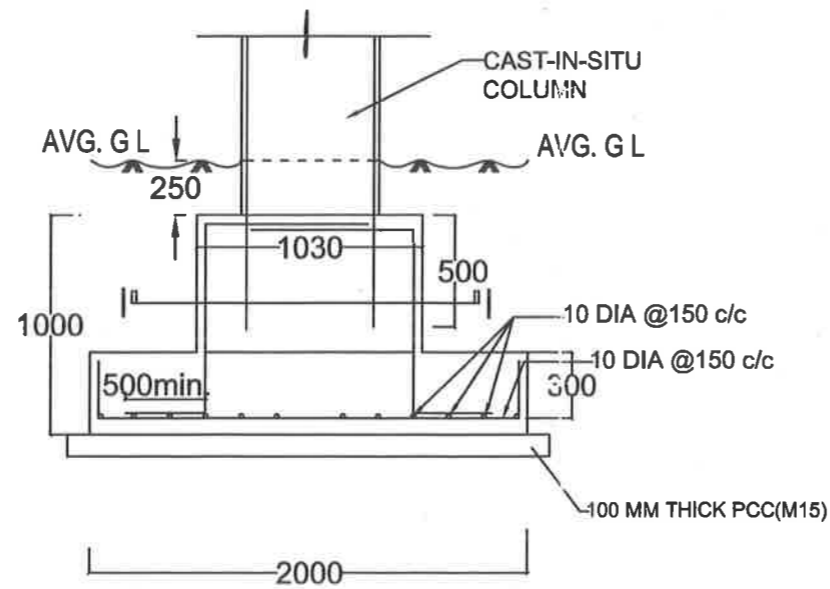
DETAIL I



DETAIL H-H (BAR PLAN)



DETAIL H (FOOTING)



DETAIL I (FOOTING)

ED/WORKS	<i>[Signature]</i> 06/12/17
DIR/WORKS	<i>[Signature]</i>
ADE/WORKS	<i>[Signature]</i>
RCC BOUNDARY WALL WITH PRECAST PANEL & CAST IN SITU COLUMN (FOR DENSELY BUILT UP AREA WITH FREQUENT TRESPASSING)	
SCALE: NTS	DATE: 06 .12.2017
DRAWING NO: RDSO/WKS/2017/2 (Sheet 4 of 4)	
<i>[Signature]</i> DRAWN BY	WORKS DIRECTORATE R.D.S.O. LUCKNOW