

INDIAN RAILWAYS**CRF CHECKSHEETS****FOR****BOGIE RAIL WAGON (91.6 Tonnes)****TYPE – BRN 22.9 WITH BMBS**

S.No.	Month & Year of issue	Revision / Amendment	Page No.	Reason for Amendment
1.	February 2012	-	-	First issue

ISSUED BY

**RESEARCH DESIGNS AND STANDARDS ORGANISATION
MINISTRY OF RAILWAYS
LUCKNOW-226 011**

February 2012

These check sheets do not detail all the dimensions or technical requirements of respective wagon assemblies / components. These check sheets are issued only for General Guidance & assistance of inspecting officials. Notwithstanding the above, the inspecting officials are advised to refer to relevant drawings and / or relevant specifications to confirm conformity to the specified dimensions and technical details.

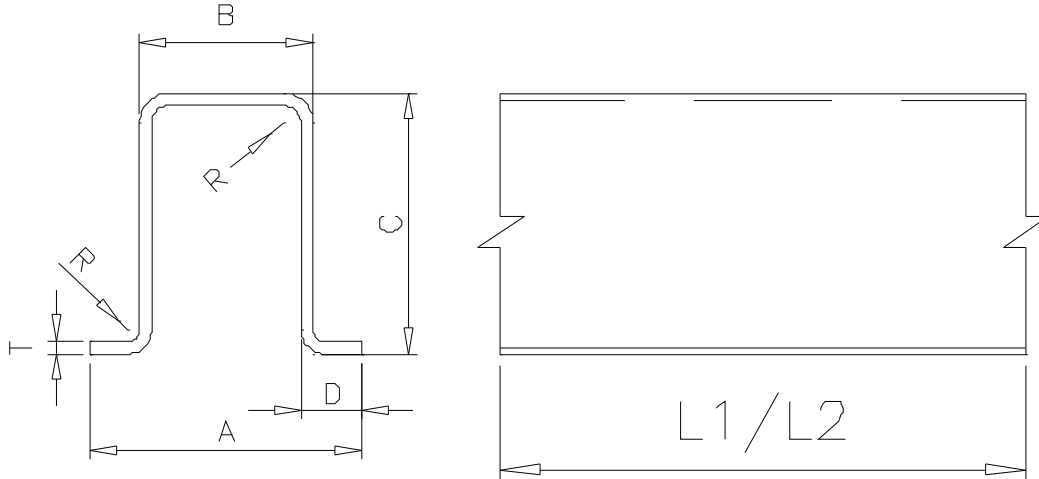
CONTENTS

Sr. No.	Description	Page No
1.a	Buffing Strut	3
1.b	Stringer(Outer)	4
1.c	Stringer(Inner)	5
1.d	Cross Stringer	6
1.e	Stringer	7
1.f	Stringer(Inner)	8
1.f	Hand Wheel Spindle Supporting Stringer	9
1.g	Stringer Long(Middle)	10
1.h	Stiffening cross member(Inner)	11
1.i	Central girder cross stringer	12
1.j	Stiffening cross member(Outer)	13
1.j	Cross Stringer(Outer)	14
1.j	Cross Stringer(Inner)	15
1.k	Stringer Center	16
1.l	Bolster stiffener	17
2.a	Stringer for suspension bracket(short)	18
2.b	Stringer for suspension bracket(long)	19
3.	Supporting channel	20
4.	Sole Bar	21
5.	Side Rail	22
6.a	Corner Bent Angle	23
6.b	Corner Angle	24
7.a	End Stanchion(Inner)	25
7.b	End Stanchion (Outer)	26
7.c	Stiffener centre	27
7.d	Stiffener Inner	28
7.e	Stiffener outer	29
8.	Head Stock Crib Angle	30
9.	End Centre Sill(Hat Section)	31

Note:

1. The check sheets do not detail all the dimensions or technical requirements of respective wagon assemblies/components. These check sheets are issued only for General Guidance& assistance of inspecting officials. Notwithstanding the above, the inspecting officials are advised to refer to relevant drawings and/or relevant specification to confirm conformity to the specified dimensions and technical details.
2. In check sheets wherever it is indicated that two dimensions are to be measured, it means measurement of that dimension at two end locations of the component.

BUFFING STRUT



Ref: Drawing No. WD-10072-S-01 Item-1a& WD-09053-S-05 Item-13

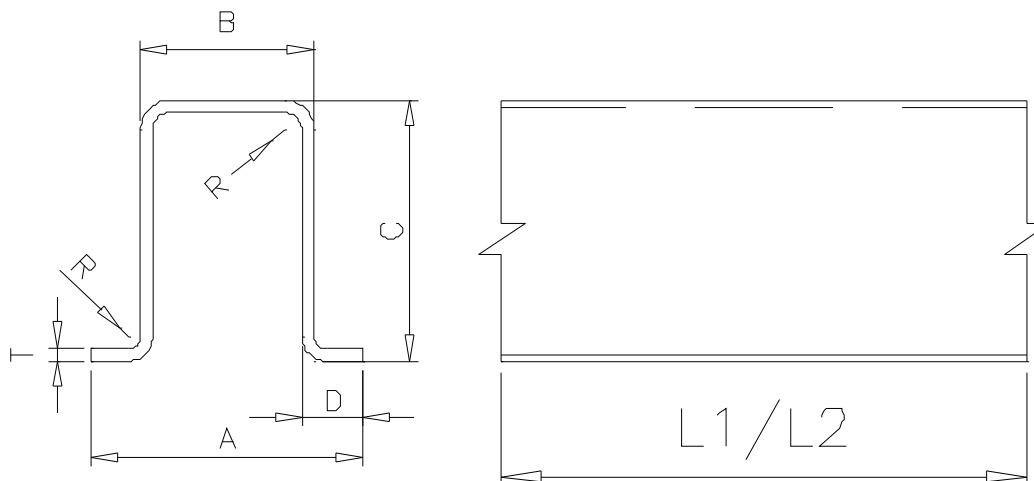
BUFFING STRUT NO:			Date:		
SL. NO.	Location	Nominal Dimensions & Allowable Deviation	Actual Dimension		Remarks
			Works Inspection	RDSO Inspection	
i.	Top width	A	156, +2,-2		
ii.	Bottom width	B	100,+1,-1		
iii.	Length Overall	L1/L2	2085, +3, -1		
iv.	Height Overall	C	150, +1.5, -1.5		
v.	Flanges	D	35+/-2		
vi.	Thickness	T	7,+0.35,-0.35		
vii.	Radius	R	14+/-1.5		
viii.	Angle	-	+/-1°		
ix.	Waviness	-	2 max.		
x.	Bow	-	1 in 600		
xi.	Camber	-	1 in 600		
xii.	Twist	-	1deg/metre		

All dimensions are in mm

Works Inspector		RDSO Inspector	
Signature:		Signature:	
Name:		Name:	
Designation:		Designation:	
Date:		Date:	

These check sheets do not detail all the dimensions or technical requirements of respective wagon assemblies / components. These check sheets are issued only for General Guidance & assistance of inspecting officials. Notwithstanding the above, the inspecting officials are advised to refer to relevant drawings and / or relevant specifications to confirm conformity to the specified dimensions and technical details.

STRINGER (OUTER)



Ref: Drawing No. WD-10072-S-01 Item-1b& WD-09053-S-05 Item-4

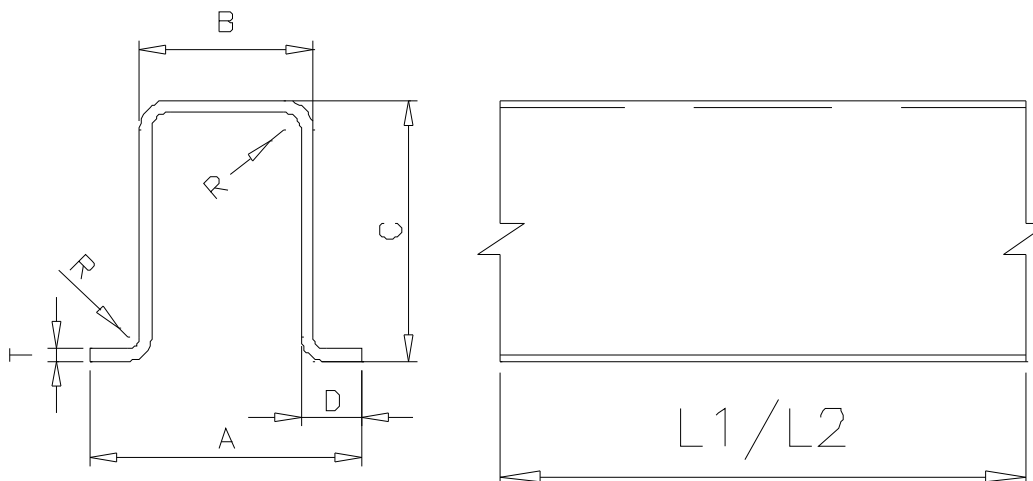
STRINGER (OUTER) NO:			Date:			
SL. NO.	Location		Nominal Dimensions & Allowable Deviation	Actual Dimension		Remarks
				Works Inspection	RDSO Inspection	
i.	Top width	A	156, +2,-2			
ii.	Bottom width	B	100,+1,-1			
iii.	Length Overall	L1/L2	2054, +3, -1			
iv.	Height Overall	C	150, +1.5, -1.5			
v.	Flanges	D	35+/-2			
vi.	Thickness	T	7,+0.35,-0.35			
vii.	Radius	R	14+/-1.5			
viii.	Angle	-	+/-1°			
ix.	Waviness	-	2 max.			
x.	Bow	-	1 in 600			
xi.	Camber	-	1 in 600			
xii.	Twist	-	1deg/metre			

All dimensions are in mm

Works Inspector		RDSO Inspector	
Signature:		Signature:	
Name:		Name:	
Designation:		Designation:	
Date:		Date:	

These check sheets do not detail all the dimensions or technical requirements of respective wagon assemblies / components. These check sheets are issued only for General Guidance & assistance of inspecting officials. Notwithstanding the above, the inspecting officials are advised to refer to relevant drawings and / or relevant specifications to confirm conformity to the specified dimensions and technical details.

STRINGER(INNER)



Ref: Drawing No. WD-10072-S-01 Item-1c& WD-09053-S-05 Item-24

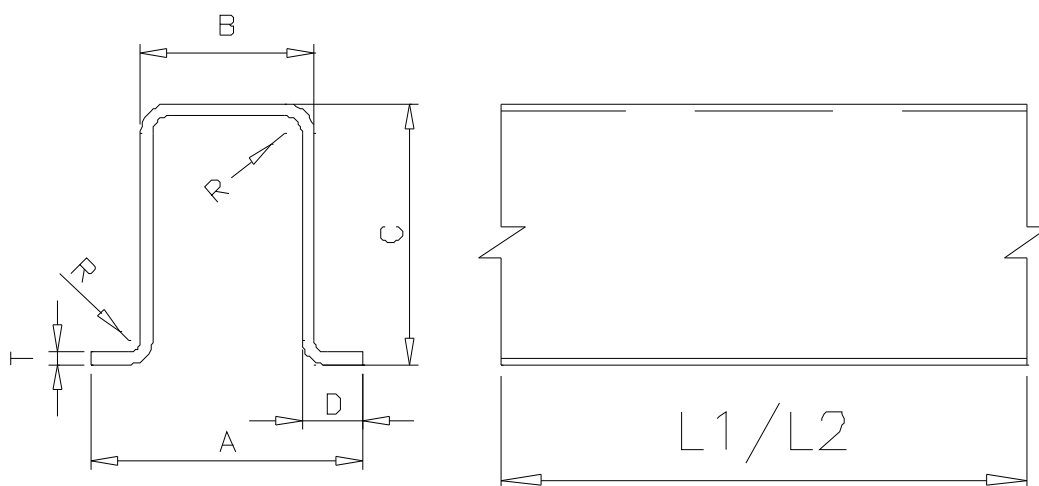
STRINGER(INNER) NO:			Date:			
SL. NO.	Location		Nominal Dimensions & Allowable Deviation	Actual Dimension		Remarks
				Works Inspection	RDSO Inspection	
i.	Top width	A	156, +2,-2			
ii.	Bottom width	B	100,+1,-1			
iii.	Length Overall	L1/L2	1397, +1, -1			
iv.	Height Overall	C	150, +1.5, -1.5			
v.	Flanges	D	35+/-2			
vi.	Thickness	T	7,+0.35,-0.35			
vii.	Radius	R	14+/-1.5			
viii.	Angle	-	+/-1°			
ix.	Waviness	-	2 max.			
x.	Bow	-	1 in 600			
xi.	Camber	-	1 in 600			
xii.	Twist	-	1deg/metre			

All dimensions are in mm

Works Inspector		RDSO Inspector	
Signature:		Signature:	
Name:		Name:	
Designation:		Designation:	
Date:		Date:	

These check sheets do not detail all the dimensions or technical requirements of respective wagon assemblies / components. These check sheets are issued only for General Guidance & assistance of inspecting officials. Notwithstanding the above, the inspecting officials are advised to refer to relevant drawings and / or relevant specifications to confirm conformity to the specified dimensions and technical details.

CROSS STRINGER



Ref: Drawing No. WD-10072-S-01 Item-1d& WD-09053-S-05 Item-18

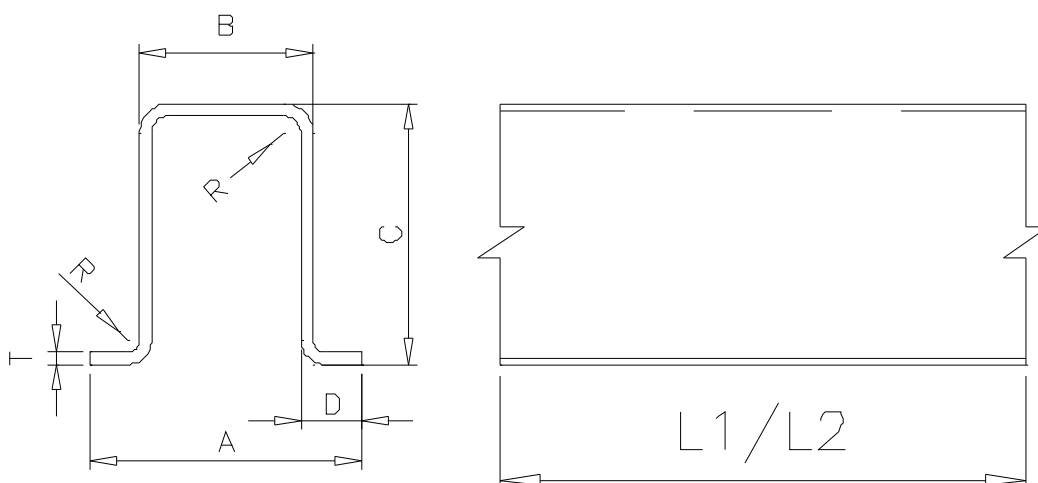
CROSS STRINGER NO:			Date:			
SL. NO.	Location		Nominal Dimensions & Allowable Deviation	Actual Dimension		Remarks
				Works Inspection	RDSO Inspection	
i.	Top width	A	156, +2,-2			
ii.	Bottom width	B	100,+1,-1			
iii.	Length Overall	L1/L2	1125, +1, -1			
iv.	Height Overall	C	150, +1.5, -1.5			
v.	Flanges	D	35+/-2			
vi.	Thickness	T	7,+0.35,-0.35			
vii.	Radius	R	14+/-1.5			
viii.	Angle	-	+/-1°			
ix.	Waviness	-	2 max.			
x.	Bow	-	1 in 600			
xi.	Camber	-	1 in 600			
xii.	Twist	-	1deg/metre			

All dimensions are in mm

Works Inspector		RDSO Inspector	
Signature:		Signature:	
Name:		Name:	
Designation:		Designation:	
Date:		Date:	

These check sheets do not detail all the dimensions or technical requirements of respective wagon assemblies / components. These check sheets are issued only for General Guidance & assistance of inspecting officials. Notwithstanding the above, the inspecting officials are advised to refer to relevant drawings and / or relevant specifications to confirm conformity to the specified dimensions and technical details.

STRINGER



Ref: Drawing No. WD-10072-S-01 Item-1e& WD-09053-S-05 Item-17

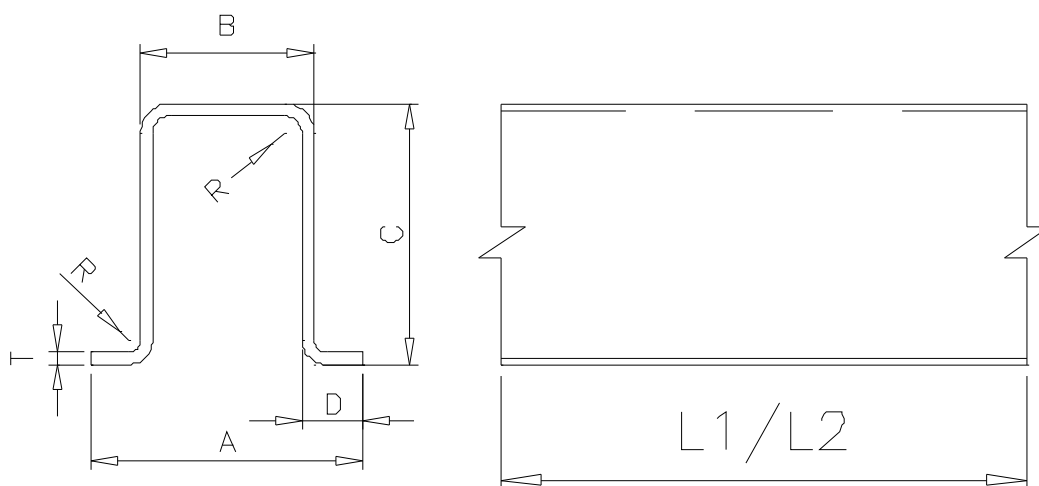
STRINGER NO:				Date:		Remarks
SL. NO.	Location		Nominal Dimensions & Allowable Deviation	Actual Dimension		
				Works Inspection	RDSO Inspection	
i.	Top width	A	156, +2,-2			
ii.	Bottom width	B	100,+1,-1			
iii.	Length Overall	L1/L2	1102, +1, -1			
iv.	Height Overall	C	150, +1.5, -1.5			
v.	Flanges	D	35+/-2			
vi.	Thickness	T	7,+0.35,-0.35			
vii.	Radius	R	14+/-1.5			
viii.	Angle	-	+/-1°			
ix.	Waviness	-	2 max.			
x.	Bow	-	1 in 600			
xi.	Camber	-	1 in 600			
xii.	Twist	-	1deg/metre			

All dimensions are in mm

Works Inspector		RDSO Inspector	
Signature:		Signature:	
Name:		Name:	
Designation:		Designation:	
Date:		Date:	

These check sheets do not detail all the dimensions or technical requirements of respective wagon assemblies / components. These check sheets are issued only for General Guidance & assistance of inspecting officials. Notwithstanding the above, the inspecting officials are advised to refer to relevant drawings and / or relevant specifications to confirm conformity to the specified dimensions and technical details.

STRINGER(INNER)



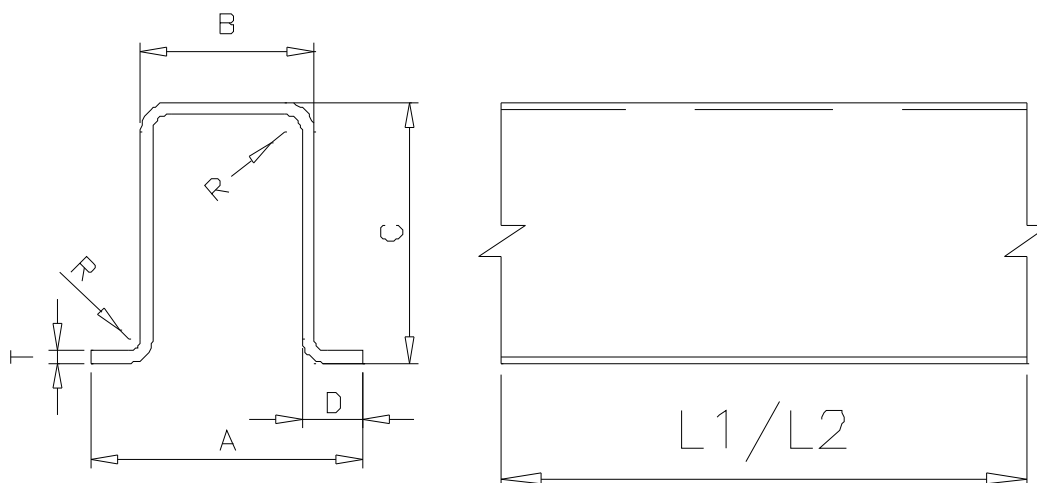
Ref: Drawing No. WD-10072-S-01 Item-1f& WD-09053-S-05 Item-23

STRINGER(INNER) NO:			Date:		
SL. NO.	Location	Nominal Dimensions & Allowable Deviation	Actual Dimension		Remarks
			Works Inspection	RDSO Inspection	
i.	Top width	A	156, +2,-2		
ii.	Bottom width	B	100,+1,-1		
iii.	Length Overall	L1/L2	711, +1, -1		
iv.	Height Overall	C	150, +1.5, -1.5		
v.	Flanges	D	35+/-2		
vi.	Thickness	T	7,+0.35,-0.35		
vii.	Radius	R	14+/-1.5		
viii.	Angle	-	+/-1°		
ix.	Waviness	-	2 max.		
x.	Bow	-	1 in 600		
xi.	Camber	-	1 in 600		
xii.	Twist	-	1deg/metre		

All dimensions are in mm

Works Inspector		RDSO Inspector	
Signature:		Signature:	
Name:		Name:	
Designation:		Designation:	
Date:		Date:	

These check sheets do not detail all the dimensions or technical requirements of respective wagon assemblies / components. These check sheets are issued only for General Guidance & assistance of inspecting officials. Notwithstanding the above, the inspecting officials are advised to refer to relevant drawings and / or relevant specifications to confirm conformity to the specified dimensions and technical details.

HAND WHEEL SPINDLE SUPPORTING STRINGER

Ref: Drawing No. WD-10072-S-01 Item-1f& WD-09053-S-05 Item-5

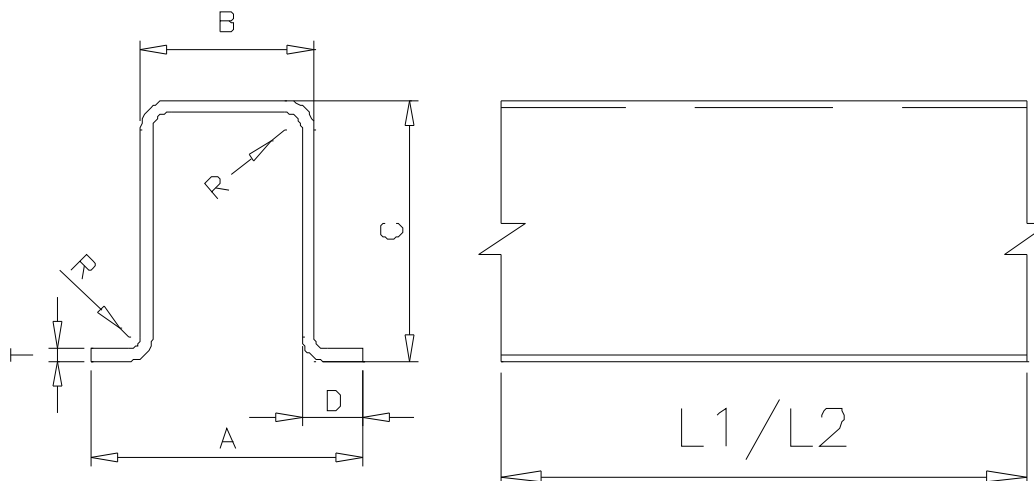
HAND WHEEL SPINDLE SUPPORTING STRINGER NO:				Date:		Remarks
SL. NO.	Location	Nominal Dimensions & Allowable Deviation	Actual Dimension			
			Works Inspection	RDSO Inspection		
i.	Top width	A	156, +2,-2			
ii.	Bottom width	B	100,+1,-1			
iii.	Length Overall	L1/L2	711, +1, -1			
iv.	Height Overall	C	150, +1.5, -1.5			
v.	Flanges	D	35+/-2			
vi.	Thickness	T	7,+0.35,-0.35			
vii.	Radius	R	14+/-1.5			
viii.	Angle	-	+/-1°			
ix.	Waviness	-	2 max.			
x.	Bow	-	1 in 600			
xi.	Camber	-	1 in 600			
xii.	Twist	-	1deg/metre			

All dimensions are in mm

Works Inspector		RDSO Inspector	
Signature:		Signature:	
Name:		Name:	
Designation:		Designation:	
Date:		Date:	

These check sheets do not detail all the dimensions or technical requirements of respective wagon assemblies / components. These check sheets are issued only for General Guidance & assistance of inspecting officials. Notwithstanding the above, the inspecting officials are advised to refer to relevant drawings and / or relevant specifications to confirm conformity to the specified dimensions and technical details.

STRINGER LONG (MIDDLE)



Ref: Drawing No. WD-10072-S-01 Item-1g& WD-09053-S-05 Item-7

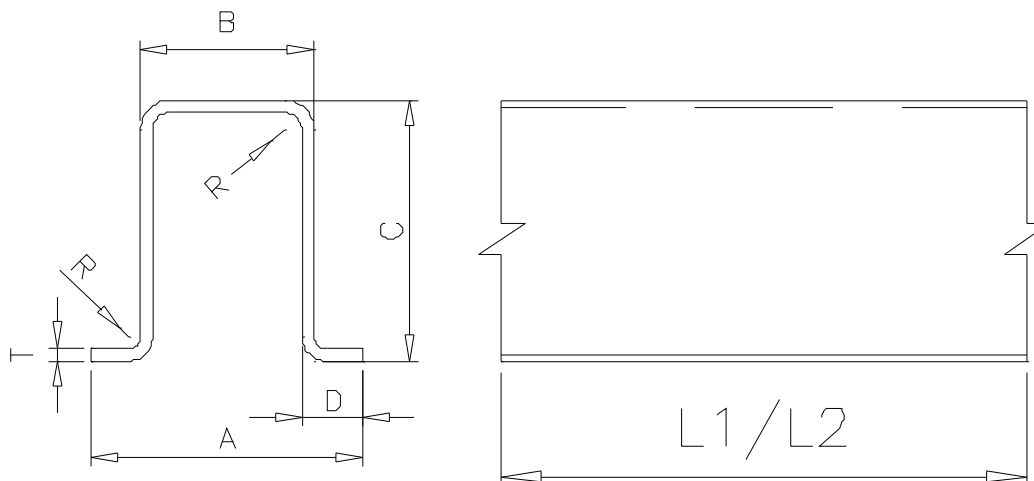
STRINGER LONG (MIDDLE) NO:				Date:		Remarks
SL. NO.	Location	Nominal Dimensions & Allowable Deviation	Actual Dimension			
			Works Inspection	RDSO Inspection		
i.	Top width	A	156, +2,-2			
ii.	Bottom width	B	100,+1,-1			
iii.	Length Overall	L1/L2	1522, +1, -1			
iv.	Height Overall	C	150, +1.5, -1.5			
v.	Flanges	D	35+/-2			
vi.	Thickness	T	7,+0.35,-0.35			
vii.	Radius	R	14+/-1.5			
viii.	Angle	-	+/-1°			
ix.	Waviness	-	2 max.			
x.	Bow	-	1 in 600			
xi.	Camber	-	1 in 600			
xii.	Twist	-	1deg/metre			

All dimensions are in mm

Works Inspector		RDSO Inspector	
Signature:		Signature:	
Name:		Name:	
Designation:		Designation:	
Date:		Date:	

These check sheets do not detail all the dimensions or technical requirements of respective wagon assemblies / components. These check sheets are issued only for General Guidance & assistance of inspecting officials. Notwithstanding the above, the inspecting officials are advised to refer to relevant drawings and / or relevant specifications to confirm conformity to the specified dimensions and technical details.

STIFFENING CROSS MEMBER(INNER)



Ref: Drawing No. WD-10072-S-01 Item-1h& WD-09053-S-05 Item-9

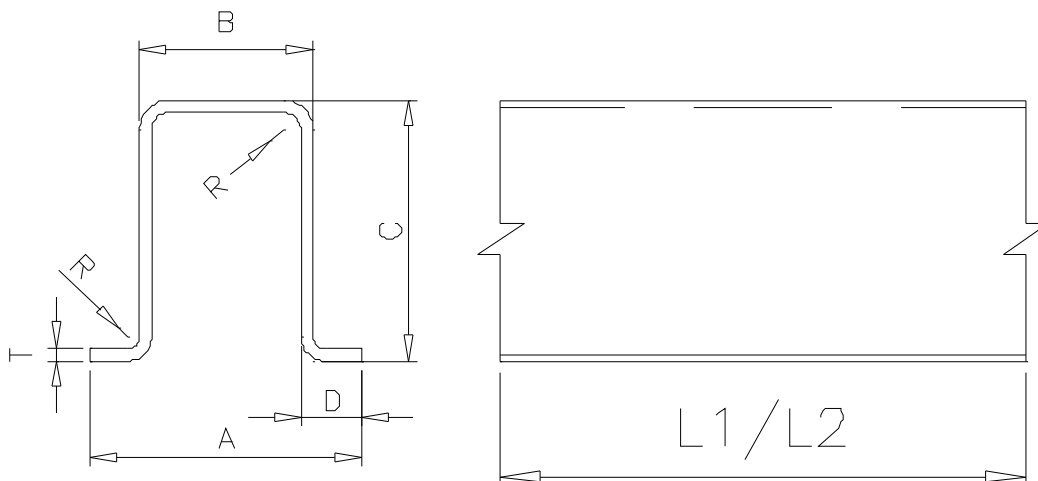
STIFFENING CROSS MEMBER(INNER) NO:				Date:		Remarks
SL. NO.	Location		Nominal Dimensions & Allowable Deviation	Actual Dimension		
				Works Inspection	RDSO Inspection	
i.	Top width	A	156, +2,-2			
ii.	Bottom width	B	100,+1,-1			
iii.	Length Overall	L1/L2	672, +1, -1			
iv.	Height Overall	C	150, +1.5, -1.5			
v.	Flanges	D	35+/-2			
vi.	Thickness	T	7,+0.35,-0.35			
vii.	Radius	R	14+/-1.5			
viii.	Angle	-	+/-1°			
ix.	Waviness	-	2 max.			
x.	Bow	-	1 in 600			
xi.	Camber	-	1 in 600			
xii.	Twist	-	1deg/metre			

All dimensions are in mm

Works Inspector		RDSO Inspector	
Signature:		Signature:	
Name:		Name:	
Designation:		Designation:	
Date:		Date:	

These check sheets do not detail all the dimensions or technical requirements of respective wagon assemblies / components. These check sheets are issued only for General Guidance & assistance of inspecting officials. Notwithstanding the above, the inspecting officials are advised to refer to relevant drawings and / or relevant specifications to confirm conformity to the specified dimensions and technical details.

CENTRAL GIRDER CROSS STRINGER



Ref: Drawing No. WD-10072-S-01 Item-1i & WD-09053-S-05 Item-6

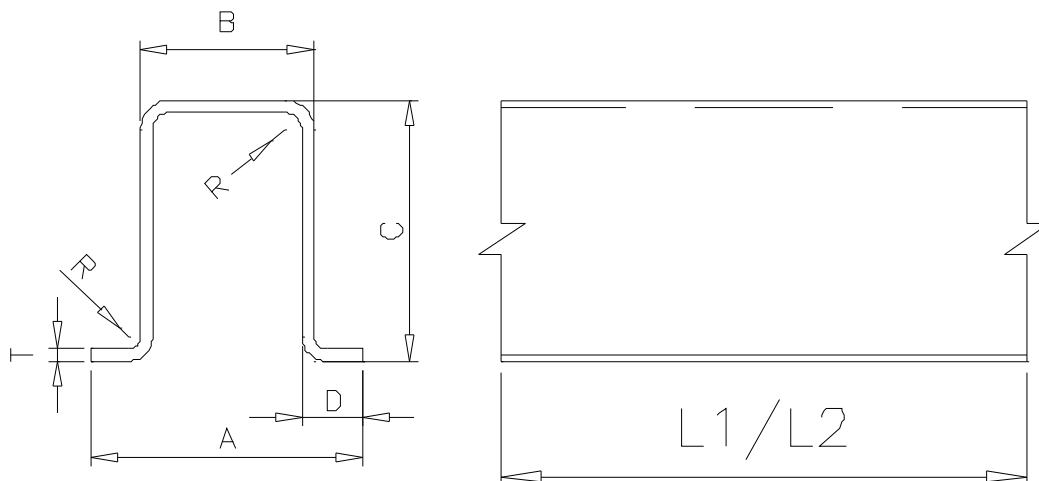
CENTRAL GIRDER CROSS STRINGER NO:				Date:		Remarks
SL. NO.	Location	Nominal Dimensions & Allowable Deviation	Actual Dimension			
			Works Inspection	RDSO Inspection		
i.	Top width	A	156, +2,-2			
ii.	Bottom width	B	100,+1,-1			
iii.	Length Overall	L1/L2	634, +1, -1			
iv.	Height Overall	C	150, +1.5, -1.5			
v.	Flanges	D	35+/-2			
vi.	Thickness	T	7,+0.35,-0.35			
vii.	Radius	R	14+/-1.5			
viii.	Angle	-	+/-1°			
ix.	Waviness	-	2 max.			
x.	Bow	-	1 in 600			
xi.	Camber	-	1 in 600			
xii.	Twist	-	1deg/metre			

All dimensions are in mm

Works Inspector		RDSO Inspector	
Signature:		Signature:	
Name:		Name:	
Designation:		Designation:	
Date:		Date:	

These check sheets do not detail all the dimensions or technical requirements of respective wagon assemblies / components. These check sheets are issued only for General Guidance & assistance of inspecting officials. Notwithstanding the above, the inspecting officials are advised to refer to relevant drawings and / or relevant specifications to confirm conformity to the specified dimensions and technical details.

STIFFENING CROSS MEMBER(OUTER)



Ref: Drawing No. WD-10072-S-01 Item-1j& WD-09053-S-05 Item-8

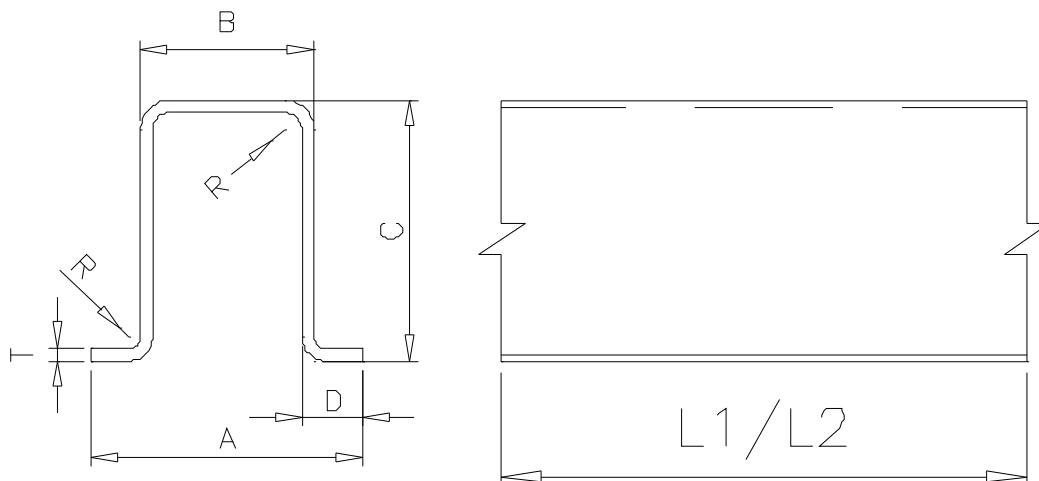
STIFFENING CROSS MEMBER(OUTER) NO:				Date:		Remarks
SL. NO.	Location	Nominal Dimensions & Allowable Deviation	Actual Dimension			
			Works Inspection	RDSO Inspection		
i.	Top width	A	156, +2,-2			
ii.	Bottom width	B	100,+1,-1			
iii.	Length Overall	L1/L2	512.5, +1, -1			
iv.	Height Overall	C	150, +1.5, -1.5			
v.	Flanges	D	35+/-2			
vi.	Thickness	T	7,+0.35,-0.35			
vii.	Radius	R	14+/-1.5			
viii.	Angle	-	+/-1°			
ix.	Waviness	-	2 max.			
x.	Bow	-	1 in 600			
xi.	Camber	-	1 in 600			
xii.	Twist	-	1deg/metre			

All dimensions are in mm

Works Inspector		RDSO Inspector	
Signature:		Signature:	
Name:		Name:	
Designation:		Designation:	
Date:		Date:	

These check sheets do not detail all the dimensions or technical requirements of respective wagon assemblies / components. These check sheets are issued only for General Guidance & assistance of inspecting officials. Notwithstanding the above, the inspecting officials are advised to refer to relevant drawings and / or relevant specifications to confirm conformity to the specified dimensions and technical details.

CROSS STRINGER(OUTER)



Ref: Drawing No. WD-10072-S-01 Item-1j& WD-09053-S-05 Item-10

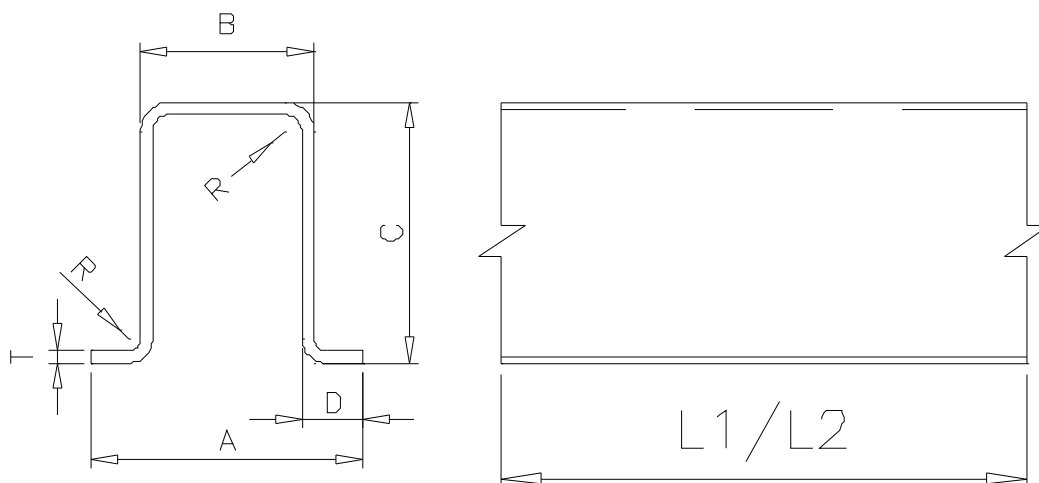
CROSS STRINGER(OUTER) NO:				Date:		Remarks
SL. NO.	Location	Nominal Dimensions & Allowable Deviation	Actual Dimension			
			Works Inspection	RDSO Inspection		
i.	Top width	A	156, +2,-2			
ii.	Bottom width	B	100,+1,-1			
iii.	Length Overall	L1/L2	512.5, +1, -1			
iv.	Height Overall	C	150, +1.5, -1.5			
v.	Flanges	D	35+/-2			
vi.	Thickness	T	7,+0.35,-0.35			
vii.	Radius	R	14+/-1.5			
viii.	Angle	-	+/-1°			
ix.	Waviness	-	2 max.			
x.	Bow	-	1 in 600			
xi.	Camber	-	1 in 600			
xii.	Twist	-	1deg/metre			

All dimensions are in mm

Works Inspector		RDSO Inspector	
Signature:		Signature:	
Name:		Name:	
Designation:		Designation:	
Date:		Date:	

These check sheets do not detail all the dimensions or technical requirements of respective wagon assemblies / components. These check sheets are issued only for General Guidance & assistance of inspecting officials. Notwithstanding the above, the inspecting officials are advised to refer to relevant drawings and / or relevant specifications to confirm conformity to the specified dimensions and technical details.

CROSS STRINGER(INNER)



Ref: Drawing No. WD-10072-S-01 Item-1j& WD-09053-S-05 Item-12

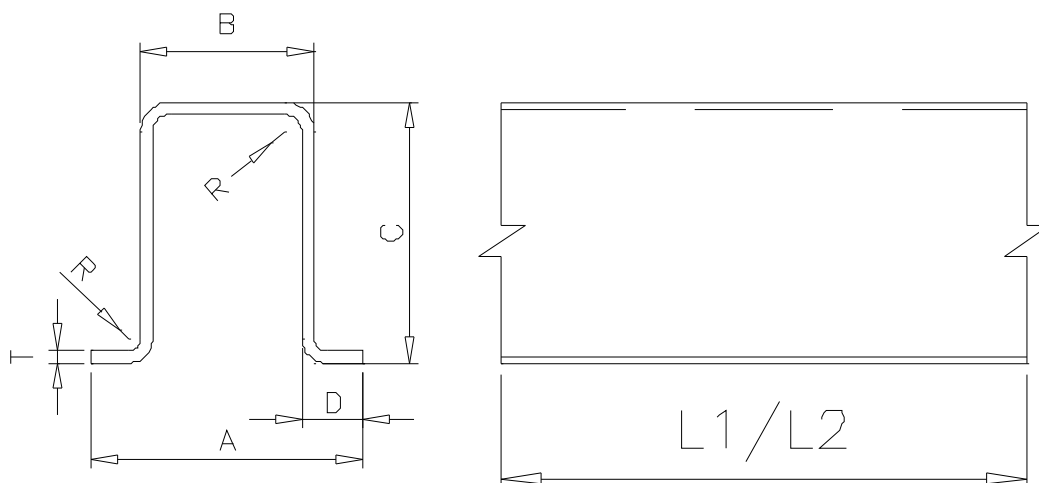
CROSS STRINGER(INNER) NO:				Date:		Remarks
SL. NO.	Location	Nominal Dimensions & Allowable Deviation	Actual Dimension			
			Works Inspection	RDSO Inspection		
i.	Top width	A	156, +2,-2			
ii.	Bottom width	B	100,+1,-1			
iii.	Length Overall	L1/L2	512.5, +1, -1			
iv.	Height Overall	C	150, +1.5, -1.5			
v.	Flanges	D	35+/-2			
vi.	Thickness	T	7,+0.35,-0.35			
vii.	Radius	R	14+/-1.5			
viii.	Angle	-	+/-1°			
ix.	Waviness	-	2 max.			
x.	Bow	-	1 in 600			
xi.	Camber	-	1 in 600			
xii.	Twist	-	1deg/metre			

All dimensions are in mm

Works Inspector		RDSO Inspector	
Signature:		Signature:	
Name:		Name:	
Designation:		Designation:	
Date:		Date:	

These check sheets do not detail all the dimensions or technical requirements of respective wagon assemblies / components. These check sheets are issued only for General Guidance & assistance of inspecting officials. Notwithstanding the above, the inspecting officials are advised to refer to relevant drawings and / or relevant specifications to confirm conformity to the specified dimensions and technical details.

STRINGER(CENTER)



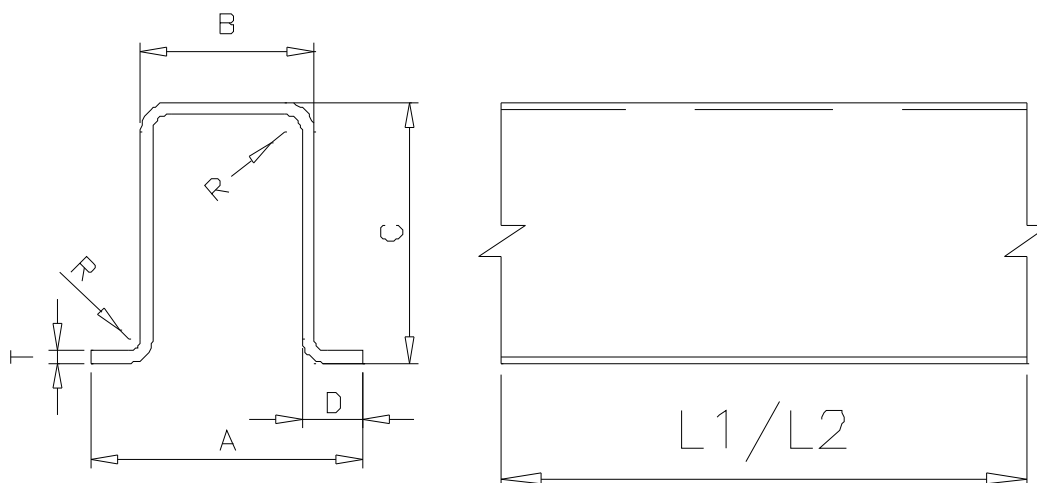
. Ref: Drawing No. WD-10072-S-01 Item-1k& WD-09053-S-05 Item-14

STRINGER(CENTER) NO:			Date:		
SL. NO.	Location	Nominal Dimensions & Allowable Deviation	Actual Dimension		Remarks
			Works Inspection	RDSO Inspection	
i.	Top width	A	156, +2,-2		
ii.	Bottom width	B	100,+1,-1		
iii.	Length Overall	L1/L2	501, +1, -1		
iv.	Height Overall	C	150, +1.5, -1.5		
v.	Flanges	D	35+/-2		
vi.	Thickness	T	7,+0.35,-0.35		
vii.	Radius	R	14+/-1.5		
viii.	Angle	-	+/-1°		
ix.	Waviness	-	2 max.		
x.	Bow	-	1 in 600		
xi.	Camber	-	1 in 600		
xii.	Twist	-	1deg/metre		

All dimensions are in mm

Works Inspector		RDSO Inspector	
Signature:		Signature:	
Name:		Name:	
Designation:		Designation:	
Date:		Date:	

These check sheets do not detail all the dimensions or technical requirements of respective wagon assemblies / components. These check sheets are issued only for General Guidance & assistance of inspecting officials. Notwithstanding the above, the inspecting officials are advised to refer to relevant drawings and / or relevant specifications to confirm conformity to the specified dimensions and technical details.

BOLSTER STIFFENER

. Ref: Drawing No. WD-10072-S-01 Item-11 & WD-09053-S-05 Item-21

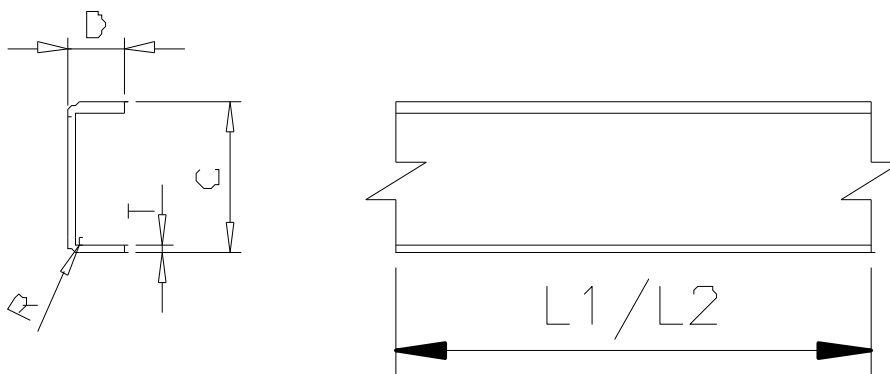
BOLSTER STIFFENER NO:			Date:			
SL. NO.	Location		Nominal Dimensions & Allowable Deviation	Actual Dimension		Remarks
				Works Inspection	RDSO Inspection	
i.	Top width	A	156, +2,-2			
ii.	Bottom width	B	100,+1,-1			
iii.	Length Overall	L1/L2	362, +1, -1			
iv.	Height Overall	C	150, +1.5, -1.5			
v.	Flanges	D	35+/-2			
vi.	Thickness	T	7,+0.35,-0.35			
vii.	Radius	R	14+/-1.5			
viii.	Angle	-	+/-1°			
ix.	Waviness	-	2 max.			
x.	Bow	-	1 in 600			
xi.	Camber	-	1 in 600			
xii.	Twist	-	1deg/metre			

All dimensions are in mm

Works Inspector		RDSO Inspector	
Signature:		Signature:	
Name:		Name:	
Designation:		Designation:	
Date:		Date:	

These check sheets do not detail all the dimensions or technical requirements of respective wagon assemblies / components. These check sheets are issued only for General Guidance & assistance of inspecting officials. Notwithstanding the above, the inspecting officials are advised to refer to relevant drawings and / or relevant specifications to confirm conformity to the specified dimensions and technical details.

STRINGER FOR SUSPENSION BRACKET(SHORT)



Ref: Drawing No. WD-10072-S-01 Item-2a & WD-09053-S-05 Item-15

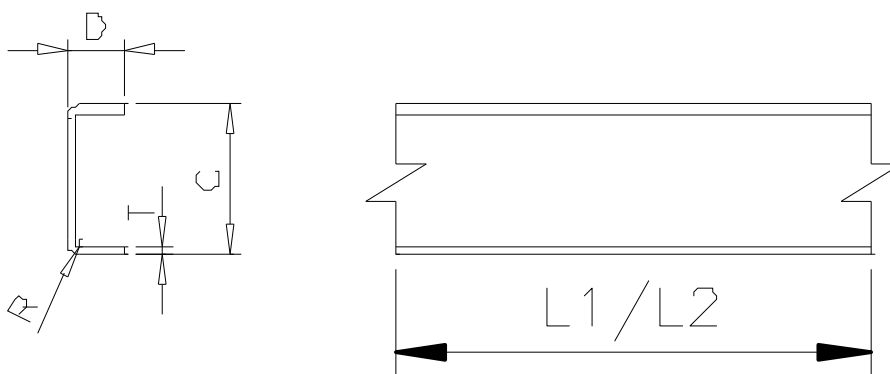
STRINGER FOR SUSPENSION BRACKET NO:				Date:		Remarks
SL. NO.	Location	Nominal Dimensions & Allowable Deviation	Actual Dimension			
			Works Inspection	RDSO Inspection		
i.	Length Overall	L1/L2	784, +1, -1			
ii.	Height Overall	C	75, +1, -1			
iii.	Flanges	D	30+/-1			
iv.	Thickness	T	4,+0.2,-0.2			
v.	Radius	R	8+/-1.5			
vi.	Angle	-	+/-1°			
vii.	Waviness	-	2 max.			
viii.	Bow	-	1 in 600			
ix.	Camber	-	1 in 600			
x.	Twist	-	1deg/metre			

All dimensions are in mm

Works Inspector		RDSO Inspector	
Signature:		Signature:	
Name:		Name:	
Designation:		Designation:	
Date:		Date:	

These check sheets do not detail all the dimensions or technical requirements of respective wagon assemblies / components. These check sheets are issued only for General Guidance & assistance of inspecting officials. Notwithstanding the above, the inspecting officials are advised to refer to relevant drawings and / or relevant specifications to confirm conformity to the specified dimensions and technical details.

STRINGER FOR SUSPENSION BRACKET(LONG)



Ref: Drawing No. WD-10072-S-01 Item-2b & WD-09053-S-05 Item-15

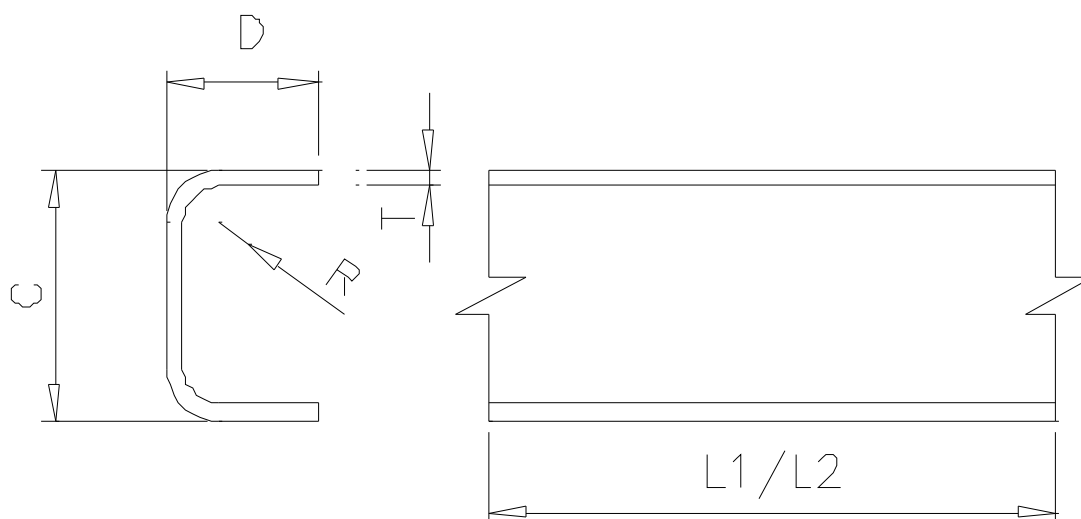
STRINGER FOR SUSPENSION BRACKET NO:				Date:		
SL. NO.	Location		Nominal Dimensions & Allowable Deviation	Actual Dimension		Remarks
				Works Inspection	RDSO Inspection	
i.	Length Overall	L1/L2	789, +1, -1			
ii.	Height Overall	C	75, +1, -1			
iii.	Flanges	D	30+/-1			
iv.	Thickness	T	4,+0.2,-0.2			
v.	Radius	R	8+/-1.5			
vi.	Angle	-	+/-1°			
vii.	Waviness	-	2 max.			
viii.	Bow	-	1 in 600			
ix.	Camber	-	1 in 600			
x.	Twist	-	1deg/metre			

All dimensions are in mm

Works Inspector		RDSO Inspector	
Signature:		Signature:	
Name:		Name:	
Designation:		Designation:	
Date:		Date:	

These check sheets do not detail all the dimensions or technical requirements of respective wagon assemblies / components. These check sheets are issued only for General Guidance & assistance of inspecting officials. Notwithstanding the above, the inspecting officials are advised to refer to relevant drawings and / or relevant specifications to confirm conformity to the specified dimensions and technical details.

SUPPORTING CHANNEL



Ref: Drawing No. WD-10072-S-01 Item-3& WD-09053-S-05 Item-3

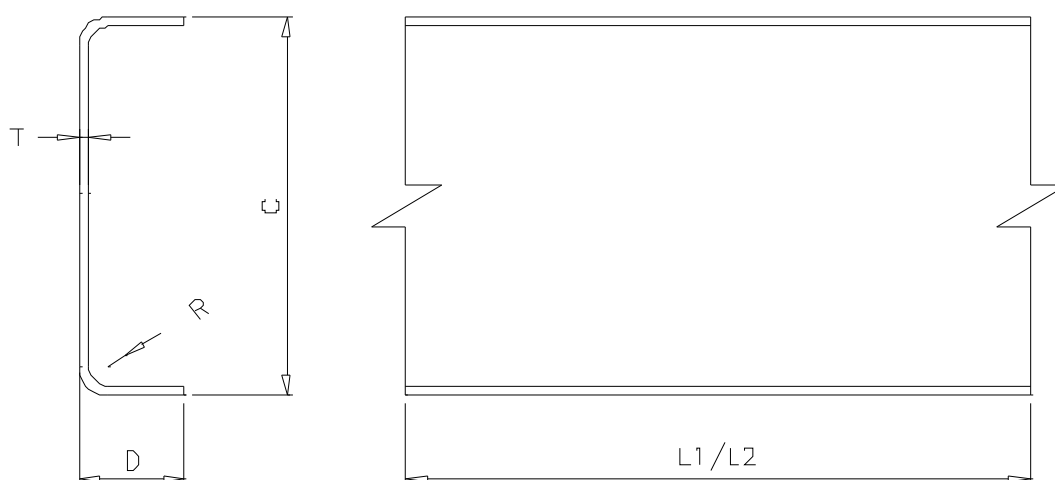
SUPPORTING CHANNEL NO:			Date:		
SL. NO.	Location	Nominal Dimensions & Allowable Deviation	Actual Dimension		Remarks
			Works Inspection	RDSO Inspection	
i.	Length Overall	L1/L2	1125, +1, -1		
ii.	Height Overall	C	100, +1, -1		
iii.	Flanges	D	60+/-1.5		
iv.	Thickness	T	5,+0.25,-0.25		
v.	Radius	R	10+/-1.5		
vi.	Angle	-	+/-1°		
vii.	Waviness	-	2 max.		
viii.	Bow	-	1 in 600		
ix.	Camber	-	1 in 600		
x.	Twist	-	1deg/metre		

All dimensions are in mm

Works Inspector		RDSO Inspector	
Signature:		Signature:	
Name:		Name:	
Designation:		Designation:	
Date:		Date:	

These check sheets do not detail all the dimensions or technical requirements of respective wagon assemblies / components. These check sheets are issued only for General Guidance & assistance of inspecting officials. Notwithstanding the above, the inspecting officials are advised to refer to relevant drawings and / or relevant specifications to confirm conformity to the specified dimensions and technical details.

SOLE BAR



Ref: Drawing No. WD-10072-S-01 Item-4& WD-09053-S-07 Item-1

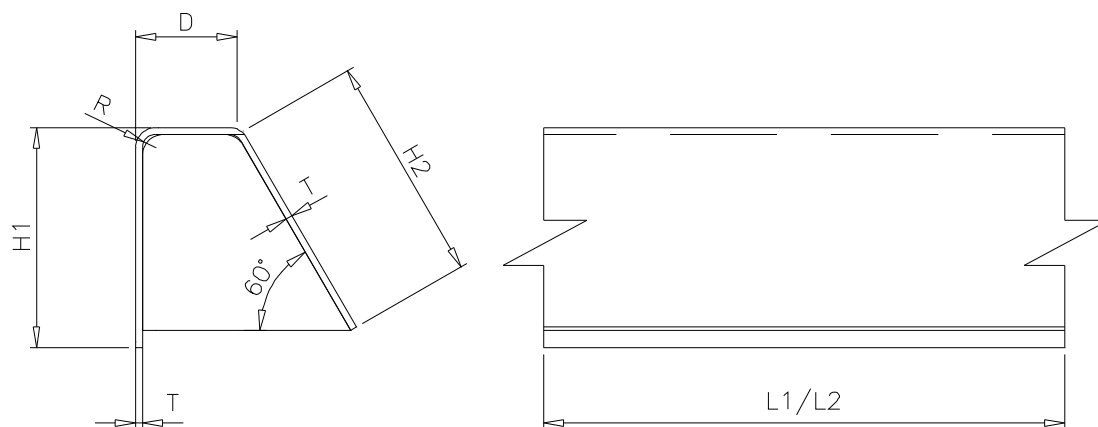
SOLE BAR NO:			Date:			
SL. NO.	Location		Nominal Dimensions & Allowable Deviation	Actual Dimension		Remarks
				Works Inspection	RDSO Inspection	
i.	Length Overall	L1/L2	13716, +4, -2			
ii.	Height Overall	C	270, +1.5, -1.5			
iii.	Flanges	D	75+/-1.5			
iv.	Thickness	T	7,+0.35,-0.35			
v.	Radius	R	14+/-1.5			
vi.	Angle	-	+/-1°			
vii.	Waviness	-	2 max.			
viii.	Bow	-	1 in 600			
ix.	Camber	-	1 in 600			
x.	Twist	-	1deg/metre			

All dimensions are in mm

Works Inspector		RDSO Inspector	
Signature:		Signature:	
Name:		Name:	
Designation:		Designation:	
Date:		Date:	

These check sheets do not detail all the dimensions or technical requirements of respective wagon assemblies / components. These check sheets are issued only for General Guidance & assistance of inspecting officials. Notwithstanding the above, the inspecting officials are advised to refer to relevant drawings and / or relevant specifications to confirm conformity to the specified dimensions and technical details.

SIDE RAIL



Ref: Drawing No. WD-10072-S-01 Item-5& WD-09053-S-07 Item-2

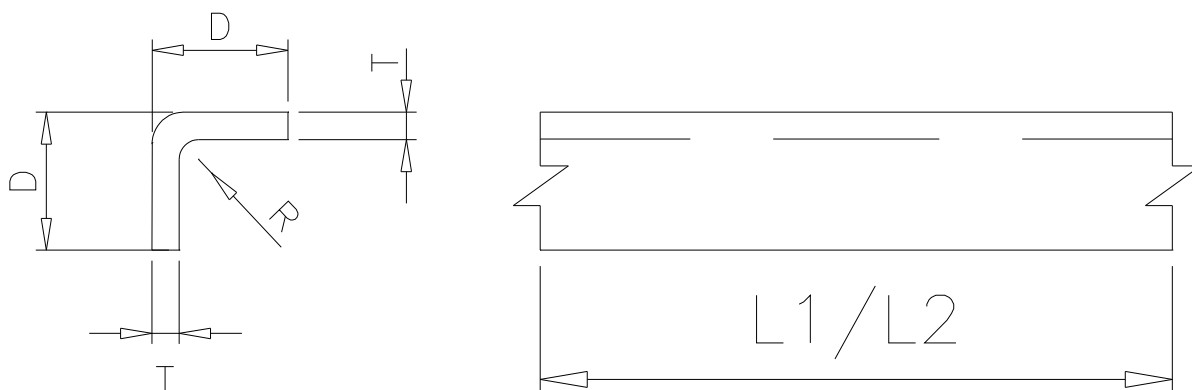
SIDE RAIL NO:			Date:			
SL. NO.	Location		Nominal Dimensions & Allowable Deviation	Actual Dimension		Remarks
				Works Inspection	RDSO Inspection	
i.	Length Overall	L1/L2	13684, +4, -2			
ii.	Height 1	H1	162,+2,-2			
iii.	Height 2	H2	167, +2, -2			
iv.	Flanges	D	75+/-1			
v.	Thickness	T	5,+0.25,-0.25			
vi.	Radius	R	10+/-1.5			
vii.	Angle	-	+/-1°			
viii.	Waviness	-	2 max.			
ix.	Bow	-	1 in 600			
x.	Camber	-	1 in 600			
xi.	Twist	-	1deg/metre			
xii.						

All dimensions are in mm

Works Inspector		RDSO Inspector	
Signature:		Signature:	
Name:		Name:	
Designation:		Designation:	
Date:		Date:	

These check sheets do not detail all the dimensions or technical requirements of respective wagon assemblies / components. These check sheets are issued only for General Guidance & assistance of inspecting officials. Notwithstanding the above, the inspecting officials are advised to refer to relevant drawings and / or relevant specifications to confirm conformity to the specified dimensions and technical details.

CORNER BENT ANGLE



Ref: Drawing No. WD-10072-S-01 Item-6a& WD-09053-S-13 Item-3

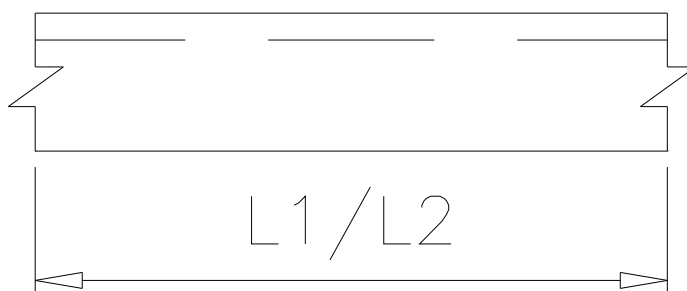
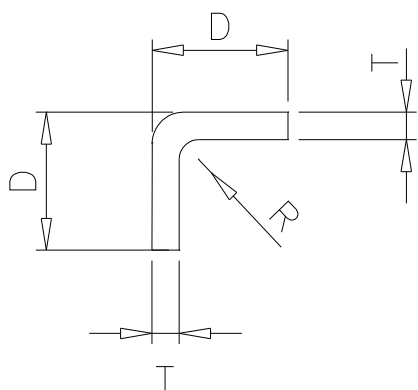
CORNER BENT ANGLE NO:			Date:			
SL. NO.	Location		Nominal Dimensions & Allowable Deviation	Actual Dimension		Remarks
				Works Inspection	RDSO Inspection	
i.	Length Overall	L1/L2	5556, +3, -1			
ii.	Flanges	D	65+/-1.5			
iii.	Thickness	T	8,+0.4,-0.4			
iv.	Radius	R	16+/-1.5			
v.	Angle	-	+/-1°			
vi.	Waviness	-	2 max.			
vii.	Bow	-	1 in 600			
viii.	Camber	-	1 in 600			
ix.	Twist	-	1deg/metre			

All dimensions are in mm

Works Inspector		RDSO Inspector	
Signature:		Signature:	
Name:		Name:	
Designation:		Designation:	
Date:		Date:	

These check sheets do not detail all the dimensions or technical requirements of respective wagon assemblies / components. These check sheets are issued only for General Guidance & assistance of inspecting officials. Notwithstanding the above, the inspecting officials are advised to refer to relevant drawings and / or relevant specifications to confirm conformity to the specified dimensions and technical details.

CORNER ANGLE



Ref: Drawing No. WD-10072-S-01 Item-6b& WD-09053-S-13 Item-9

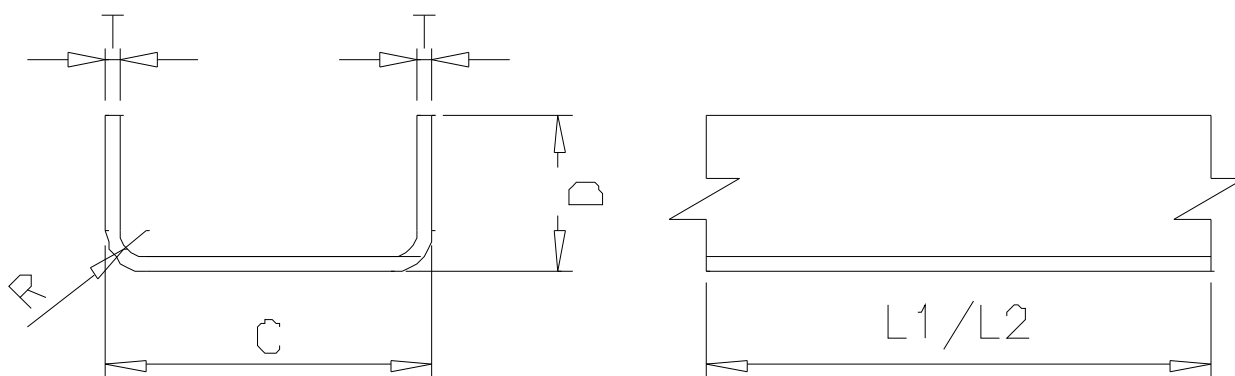
CORNER ANGLE NO:			Date:			
SL. NO.	Location		Nominal Dimensions & Allowable Deviation	Actual Dimension		Remarks
				Works Inspection	RDSO Inspection	
i.	Length Overall	L1/L2	762, +1, -1			
ii.	Flanges	D	65+/-1.5			
iii.	Thickness	T	8,+0.4,-0.4			
iv.	Radius	R	16+/-1.5			
v.	Angle	-	+/-1°			
vi.	Waviness	-	2 max.			
vii.	Bow	-	1 in 600			
viii.	Camber	-	1 in 600			
ix.	Twist	-	1deg/metre			
x.						
xi.						
xii.						

All dimensions are in mm

Works Inspector		RDSO Inspector	
Signature:		Signature:	
Name:		Name:	
Designation:		Designation:	
Date:		Date:	

These check sheets do not detail all the dimensions or technical requirements of respective wagon assemblies / components. These check sheets are issued only for General Guidance & assistance of inspecting officials. Notwithstanding the above, the inspecting officials are advised to refer to relevant drawings and / or relevant specifications to confirm conformity to the specified dimensions and technical details.

END STANCHION (INNER)



Ref: Drawing No. WD-10072-S-01 Item-7a& WD-09053-S-13 Item-2

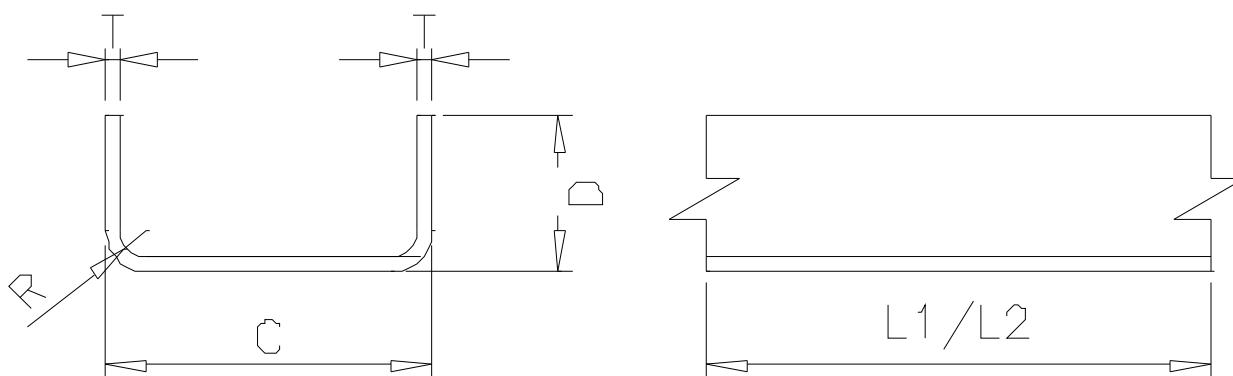
END STANCHION (INNER) NO:			Date:		
SL. NO.	Location	Nominal Dimensions & Allowable Deviation	Actual Dimension		Remarks
			Works Inspection	RDSO Inspection	
i.	Length Overall	L1/L2	1451, +1, -1		
ii.	Height Overall	C	125, +1.5, -1.5		
iii.	Flanges	D	60+/-1.5		
iv.	Thickness	T	5,+0.25,-0.25		
v.	Radius	R	10+/-1.5		
vi.	Angle	-	+/-1°		
vii.	Waviness	-	2 max.		
viii.	Bow	-	1 in 600		
ix.	Camber	-	1 in 600		
x.	Twist	-	1deg/metre		

All dimensions are in mm

Works Inspector		RDSO Inspector	
Signature:		Signature:	
Name:		Name:	
Designation:		Designation:	
Date:		Date:	

These check sheets do not detail all the dimensions or technical requirements of respective wagon assemblies / components. These check sheets are issued only for General Guidance & assistance of inspecting officials. Notwithstanding the above, the inspecting officials are advised to refer to relevant drawings and / or relevant specifications to confirm conformity to the specified dimensions and technical details.

END STANCHION (OUTER)



Ref: Drawing No. WD-10072-S-01 Item-7b& WD-09053-S-13 Item-11

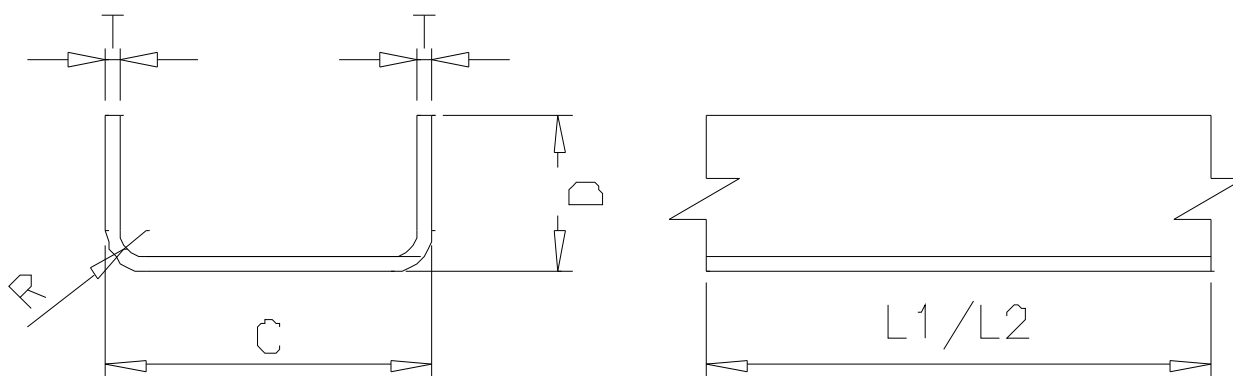
END STANCHION (OUTER) NO:			Date:			
SL. NO.	Location		Nominal Dimensions & Allowable Deviation	Actual Dimension		Remarks
				Works Inspection	RDSO Inspection	
i.	Length Overall	L1/L2	1395, +1, -1			
ii.	Height Overall	C	125, +1.5, -1.5			
iii.	Flanges	D	60+/-1.5			
iv.	Thickness	T	5,+0.25,-0.25			
v.	Radius	R	10+/-1.5			
vi.	Angle	-	+/-1°			
vii.	Waviness	-	2 max.			
viii.	Bow	-	1 in 600			
ix.	Camber	-	1 in 600			
x.	Twist	-	1deg/metre			

All dimensions are in mm

Works Inspector		RDSO Inspector	
Signature:		Signature:	
Name:		Name:	
Designation:		Designation:	
Date:		Date:	

These check sheets do not detail all the dimensions or technical requirements of respective wagon assemblies / components. These check sheets are issued only for General Guidance & assistance of inspecting officials. Notwithstanding the above, the inspecting officials are advised to refer to relevant drawings and / or relevant specifications to confirm conformity to the specified dimensions and technical details.

STIFFENER CENTRE



Ref: Drawing No. WD-10072-S-01 Item-7c& WD-09053-S-13 Item-6

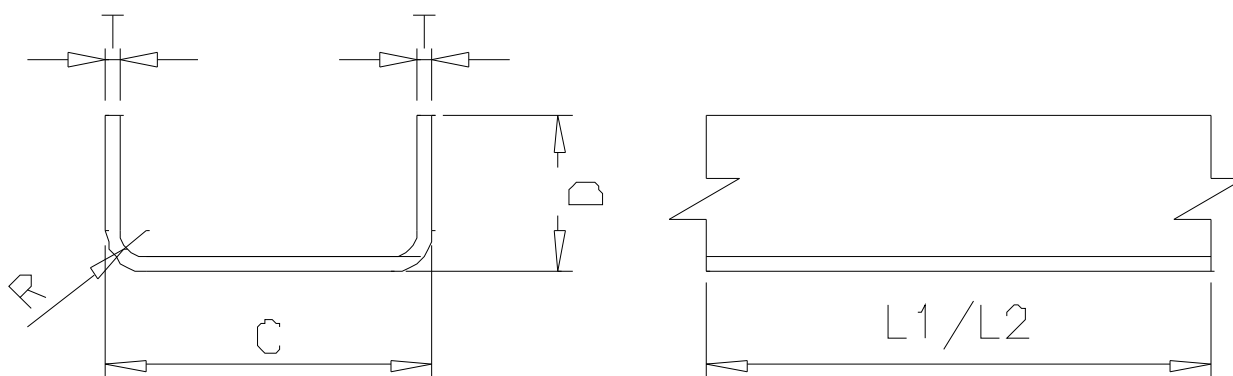
STIFFENER CENTRE NO:			Date:			
SL. NO.	Location		Nominal Dimensions & Allowable Deviation	Actual Dimension		Remarks
				Works Inspection	RDSO Inspection	
i.	Length Overall	L1/L2	580, +1, -1			
ii.	Height Overall	C	125, +1.5, -1.5			
iii.	Flanges	D	60+/-1.5			
iv.	Thickness	T	5,+0.25,-0.25			
v.	Radius	R	10+/-1.5			
vi.	Angle	-	+/-1°			
vii.	Waviness	-	2 max.			
viii.	Bow	-	1 in 600			
ix.	Camber	-	1 in 600			
x.	Twist	-	1deg/metre			

All dimensions are in mm

Works Inspector		RDSO Inspector	
Signature:		Signature:	
Name:		Name:	
Designation:		Designation:	
Date:		Date:	

These check sheets do not detail all the dimensions or technical requirements of respective wagon assemblies / components. These check sheets are issued only for General Guidance & assistance of inspecting officials. Notwithstanding the above, the inspecting officials are advised to refer to relevant drawings and / or relevant specifications to confirm conformity to the specified dimensions and technical details.

STIFFENER INNER



Ref: Drawing No. WD-10072-S-01 Item-7d& WD-09053-S-13 Item-7

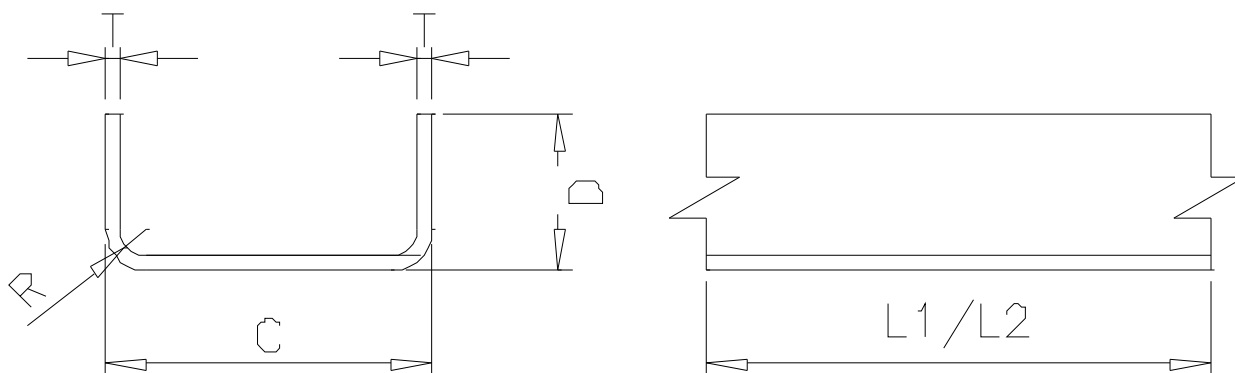
STIFFENER INNER NO:			Date:			
SL. NO.	Location		Nominal Dimensions & Allowable Deviation	Actual Dimension		Remarks
				Works Inspection	RDSO Inspection	
i.	Length Overall	L1/L2	613, +1, -1			
ii.	Height Overall	C	125, +1.5, -1.5			
iii.	Flanges	D	60+/-1.5			
iv.	Thickness	T	5,+0.25,-0.25			
v.	Radius	R	10+/-1.5			
vi.	Angle	-	+/-1°			
vii.	Waviness	-	2 max.			
viii.	Bow	-	1 in 600			
ix.	Camber	-	1 in 600			
x.	Twist	-	1deg/metre			

All dimensions are in mm

Works Inspector		RDSO Inspector	
Signature:		Signature:	
Name:		Name:	
Designation:		Designation:	
Date:		Date:	

These check sheets do not detail all the dimensions or technical requirements of respective wagon assemblies / components. These check sheets are issued only for General Guidance & assistance of inspecting officials. Notwithstanding the above, the inspecting officials are advised to refer to relevant drawings and / or relevant specifications to confirm conformity to the specified dimensions and technical details.

STIFFENER OUTER



Ref: Drawing No. WD-10072-S-01 Item-7e& WD-09053-S-13 Item-8

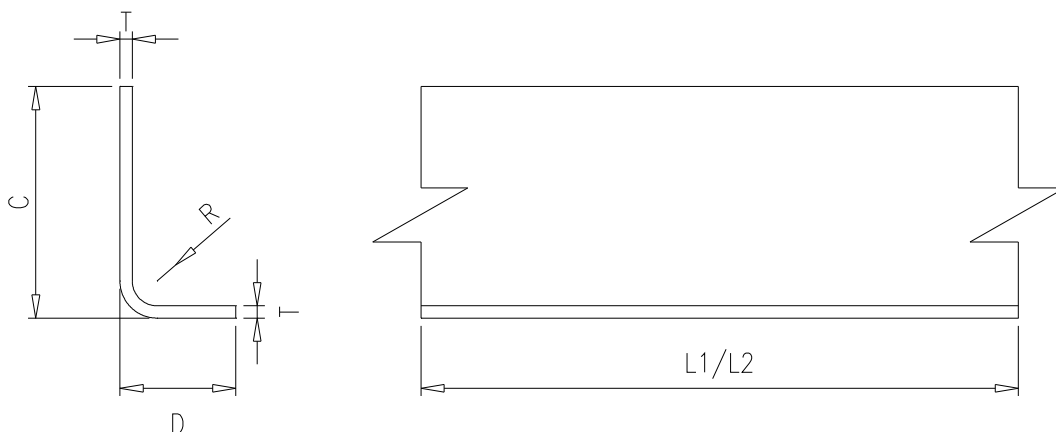
STIFFENER OUTER NO:			Date:			
SL. NO.	Location		Nominal Dimensions & Allowable Deviation	Actual Dimension		Remarks
				Works Inspection	RDSO Inspection	
i.	Length Overall	L1/L2	544, +1, -1			
ii.	Height Overall	C	125, +1.5, -1.5			
iii.	Flanges	D	60+/-1.5			
iv.	Thickness	T	5,+0.25,-0.25			
v.	Radius	R	10+/-1.5			
vi.	Angle	-	+/-1°			
vii.	Waviness	-	2 max.			
viii.	Bow	-	1 in 600			
ix.	Camber	-	1 in 600			
x.	Twist	-	1deg/metre			

All dimensions are in mm

Works Inspector		RDSO Inspector	
Signature:		Signature:	
Name:		Name:	
Designation:		Designation:	
Date:		Date:	

These check sheets do not detail all the dimensions or technical requirements of respective wagon assemblies / components. These check sheets are issued only for General Guidance & assistance of inspecting officials. Notwithstanding the above, the inspecting officials are advised to refer to relevant drawings and / or relevant specifications to confirm conformity to the specified dimensions and technical details.

HEAD STOCK CRIB ANGLE



Ref: Drawing No. WD-10072-S-01 Item-8& WD-09053-S-13 Item-05

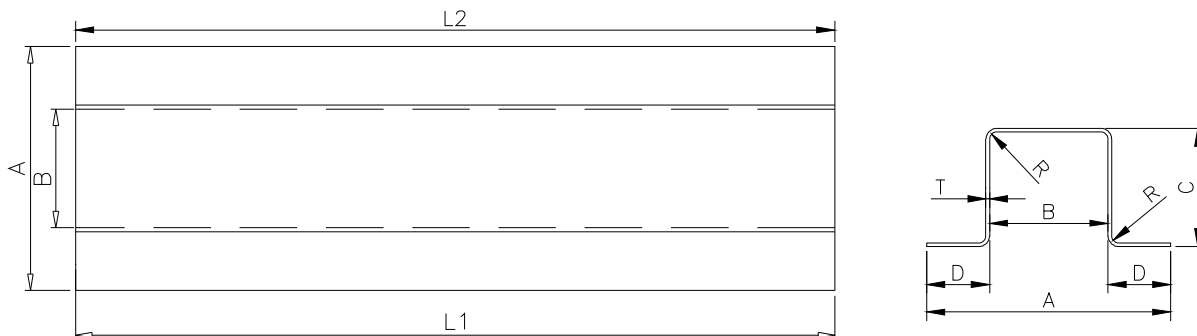
HEAD STOCK CRIB ANGLE NO:				Date:		Remarks
SL. NO.	Location	Nominal Dimensions & Allowable Deviation	Actual Dimension			
			Works Inspection	RDSO Inspection		
i.	Length Overall	L1/L2	2930, +3, -1			
ii.	Height Overall	C	150, +1.5, -1.5			
iii.	Flanges	D	75+/-1.5			
iv.	Thickness	T	8,+0.4,-0.4			
v.	Radius	R	16+/-1.5			
vi.	Angle	-	+/-1°			
vii.	Waviness	-	2 max.			
viii.	Bow	-	1 in 600			
ix.	Camber	-	1 in 600			
x.	Twist	-	1deg/metre			

All dimensions are in mm

Works Inspector		RDSO Inspector	
Signature:		Signature:	
Name:		Name:	
Designation:		Designation:	
Date:		Date:	

These check sheets do not detail all the dimensions or technical requirements of respective wagon assemblies / components. These check sheets are issued only for General Guidance & assistance of inspecting officials. Notwithstanding the above, the inspecting officials are advised to refer to relevant drawings and / or relevant specifications to confirm conformity to the specified dimensions and technical details.

END CENTRE SILL(HAT SECTION)



Ref: Drawing No. WD-10072-S-01 Item-9 & WD-09053-S-05 Item-20

CENTRE SILL NO:			Date:			
SL. NO.	Location		Nominal Dimensions & Allowable Deviation	Actual Dimension		Remarks
				Works Inspection	RDSO Inspection	
i.	Bottom width	A	674, +3,-3			
ii.	Top width(Inside)	B	327,+3,-0			
iii.	Length Overall	L1/L2	2095, +3, -1			
iv.	Height Overall	C	327, +1.5, -1.5			
v.	Flanges	D	173.5+/-1.5			
vi.	Thickness	T	10,+0.5,-0.0			
vii.	Radius	R	20+/-1.5			
viii.	Angle	-	+/-1°			
ix.	Waviness	-	2 max.			
x.	Bow	-	1 in 600			
xi.	Camber	-	1 in 600			
xii.	Twist	-	1 deg/metre			

All dimensions are in mm

Works Inspector		RDSO Inspector	
Signature:		Signature:	
Name:		Name:	
Designation:		Designation:	
Date:		Date:	

These check sheets do not detail all the dimensions or technical requirements of respective wagon assemblies / components. These check sheets are issued only for General Guidance & assistance of inspecting officials. Notwithstanding the above, the inspecting officials are advised to refer to relevant drawings and / or relevant specifications to confirm conformity to the specified dimensions and technical details.