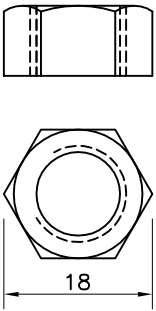
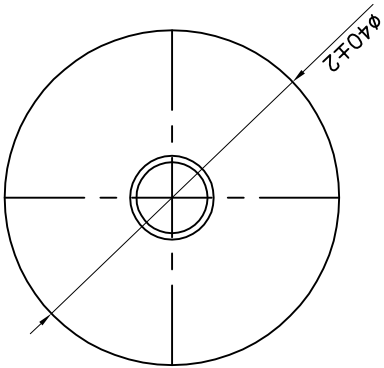


NATURAL RUBBER



2 NOS. NUT TO SUIT M10X1.5

4. TOLERANCES MAY BE INDICATED INDIVIDUALLY UPON SUITABILITY OF FITMENTS.
3. MATERIAL COMPOSITION AND OTHER DETAILS REFER TO RDSO'S SPECIFICATION NO. TM/HM/6/516
2. ALL SHARP CORNERS TO BE CHAMFERED.
1. ALL DIMENSIONS ARE IN MILLIMETRES.

N O T E S

RDSO SPECIFICATION NO.
TM/HM/6/516

SCALE

ALT

DESCRIPTION

AUTHY

DRG. No. RDSO/TM/06/22

R. D. S. O.

ROUND RUBBER PAD FOR T-EXP.,
UNIMAT & DUOMATIC

(PART NO.-40X30 M10)
(PROVISIONAL)

CANC./SUPERD
REVED.