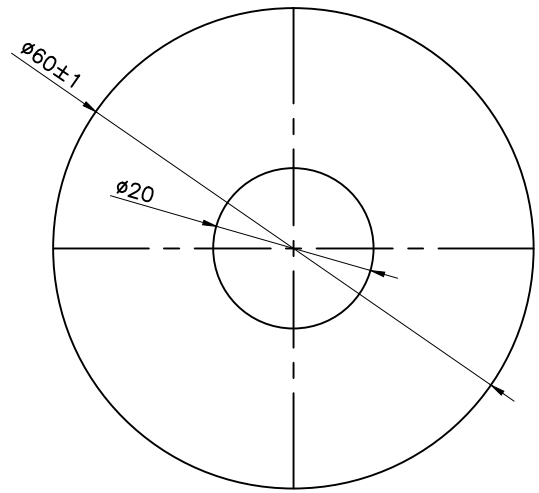
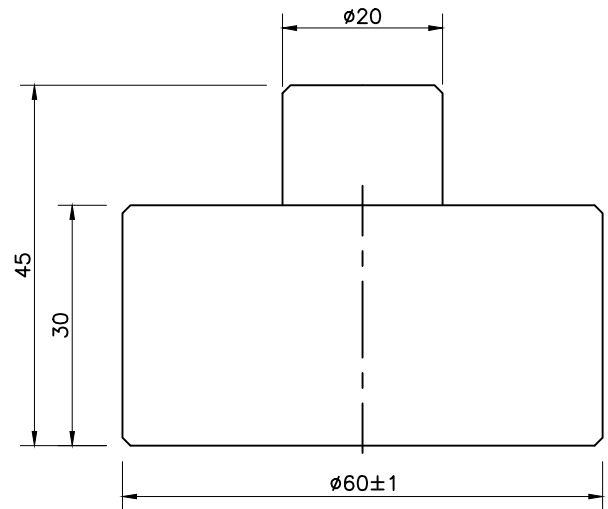


PART NO.-UD50.207



PART NO.-E34.143AS

- 4. TOLERANCES MAY BE INDICATED INDIVIDUALLY UPON SUITABILITY OF FITMENTS.
- 3. MATERIAL COMPOSITION AND OTHER DETAILS REFER TO RDSO'S SPECIFICATION No.TM/HM/6/515
- 2. ALL SHARP CORNERS TO BE CHAMFERED.
- 1. ALL DIMENSIONS ARE IN MILLIMETRES.

R.	D.	S.	O.
HEAD REST FOR WHEEL SUPPORT CYLINDER OF T-EXP.			
(PART NO.-UD50.207&E34.143AS)			
(PROVISIONAL)			
CANC./SUPED REVED.			
DRG. No. RDSO/TM/05/22			

RDSO SPECIFICATION NO
TM/HM/6/515

N O T E S	SPECIFICATION	SCALE	ALT	DESCRIPTION	AUTHY
-----------	---------------	-------	-----	-------------	-------