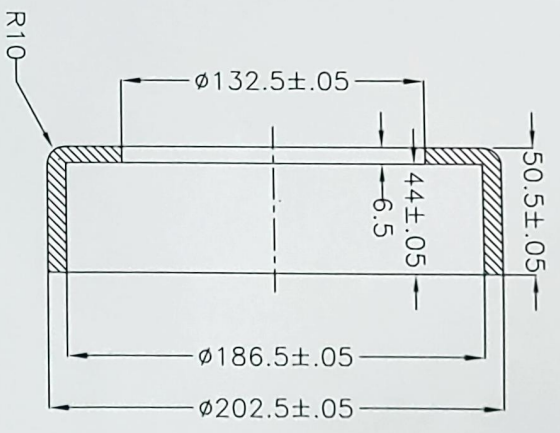
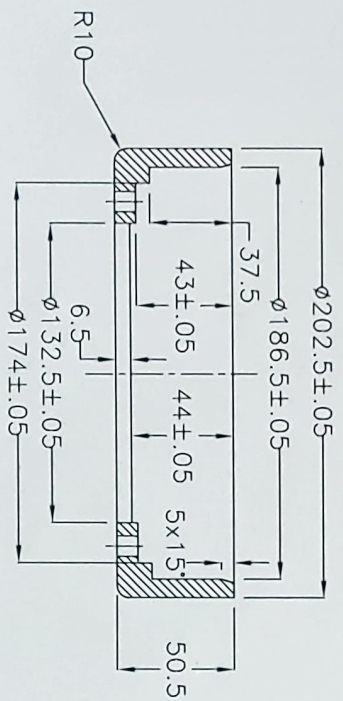


ON PCD 158-6
HOLES OF DIA 9



4. TOLERANCES MAY BE INDICATED INDIVIDUALLY UPON SUITABILITY OF FITMENTS.
 3. MATERIAL COMPOSITION AND OTHER DETAILS REFER TO RDSO'S SPECIFICATION No:TM/HM/6/542
 2. ALL SHARP CORNERS TO BE CHAMFERED.
 1. ALL DIMENSIONS ARE IN MILLIMETRES.

N O T E S

RDSO SPECIFICATION NO
TM/HM/6/542

SPECIFICATION	SCALE	ALT	DESCRIPTION	AUTHY	DRG. No.	RDSO/TM/12/23

R. D. S. O.
 COVER FOR FLY WHEEL OF
 CSM/DUO
 (PART NO: C-1005)
 (PROVISIONAL)

DR. BY:AK. SINGH	PLT BY: S.DAVAL	APPROVED BY:
CH. BY: S.DAVAL	COM BY: A.K. SINGH	
	ARE/TM/HM	